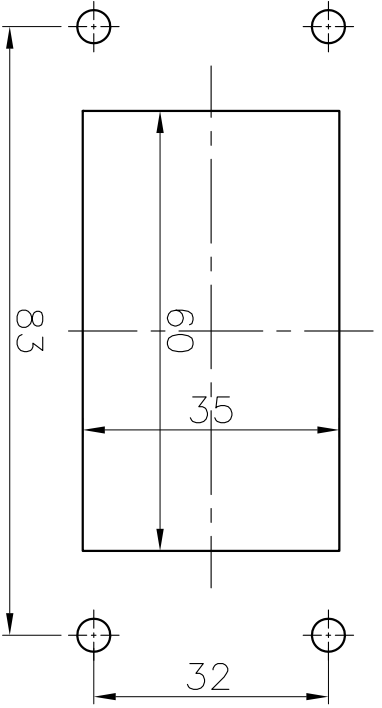
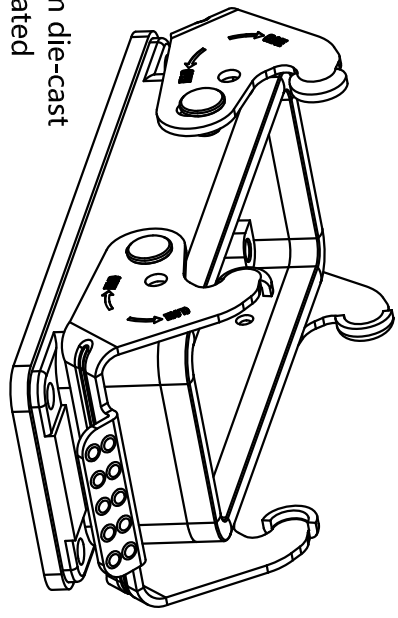
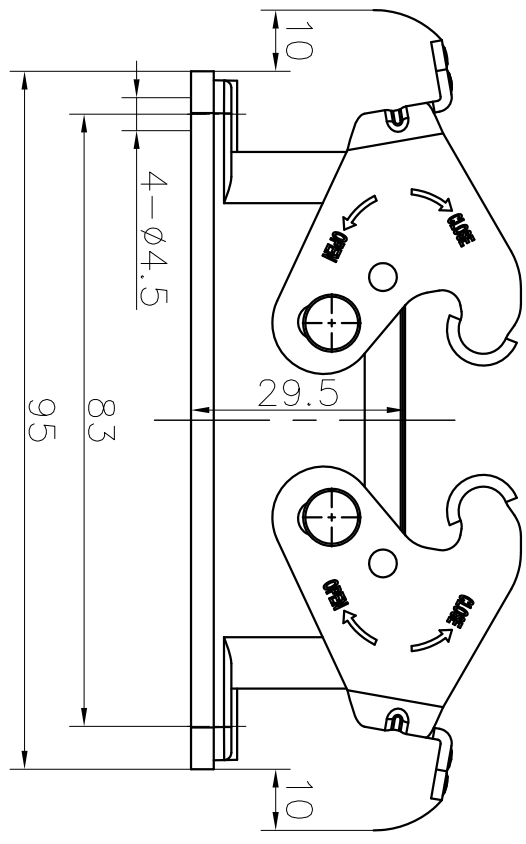
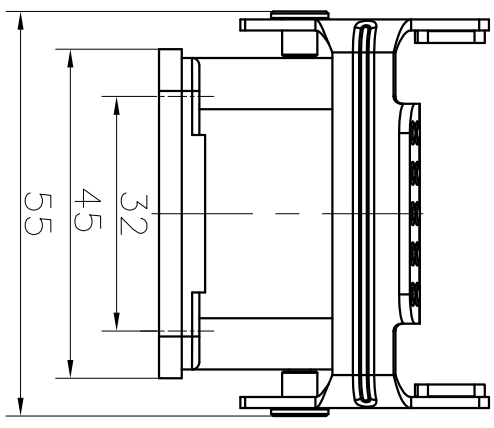


REVISION RECORD			
REV	ECN	DESCRIPTION	DATE



Panel cut out

- Housings Feature**
1. Material: aluminium die-cast
 2. Surface: Powder-coated
 3. Color: grey (RAL 7037)
 4. Material: Metal (Lever)
 5. Sealing: NBR
 6. Limiting temperatures: -40°C ~ +125°C
 7. Flammability acc to UL94: V0
 8. Degree of protection acc: to EN60529 for coupled connector : IP65
 9. Rohs compliance

DETACHED LISTS			
PART NO.:	/	NAME:	DEGSON 宁波高松电子有限公司
APPRD:			NINGBO DEGSON ELECTRICAL CO., LTD
CHKD:			
DRFT:	Mr. yong 2017/06/28	TITLE:	CUSTOMER DRAWING
		DRAWING NO.:	
		THIRD ANGLE PROJECTION	DO NOT SCALE DRAWING
		SCALE	1:1