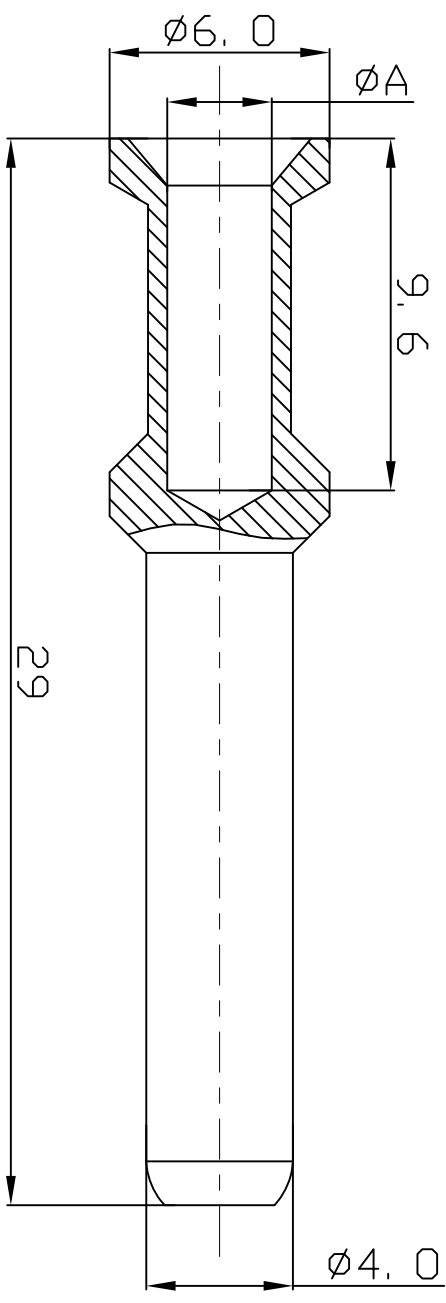


REVISION RECORD			
REV	ECN	DESCRIPTION	DATE

Contacts, silver-plated	(ØA)	Wire gauge		Recommended stripping length
		(mm ²)	(AWG)	
Type of products				
40A-SM-1.5	1.75	1.5	16	9.0mm
◆ 40A-SM-2.5	2.25	2.5	14	9.0mm
40A-SM-4.0	2.85	4.0	12	9.6mm
40A-SM-6.0	3.5	6.0	10	9.6mm
40A-SM-10	4.3	10.0	8	12mm



Crimp contacts

- 01. Material :Copper alloy
- 02. Surface :hard-silver plated
- 03. Contact resistance : ≤0.3mΩ
- 04. Terminal :Crimp connection
- 05. Wire gauge : 1.5-6mm² (AWG 16-10)
- 06. Rohs Compliance

PART NO.: /		NINGBO DEGSON ELECTRICAL CO., LTD 宁波高松电子有限公司	
APPD:	CHKD:	NAME:	40A-Male Contacts
DRAFT: Mr. Yang 2016.08.08		TITLE: CUSTOMER DRAWING	REV: /
THIRD ANGLE PROJECTION		DRAWING NO.:	DO NOT SCALE DRAWING
		SCALE	5:1

A 8 7 6 5 4 3 2 1