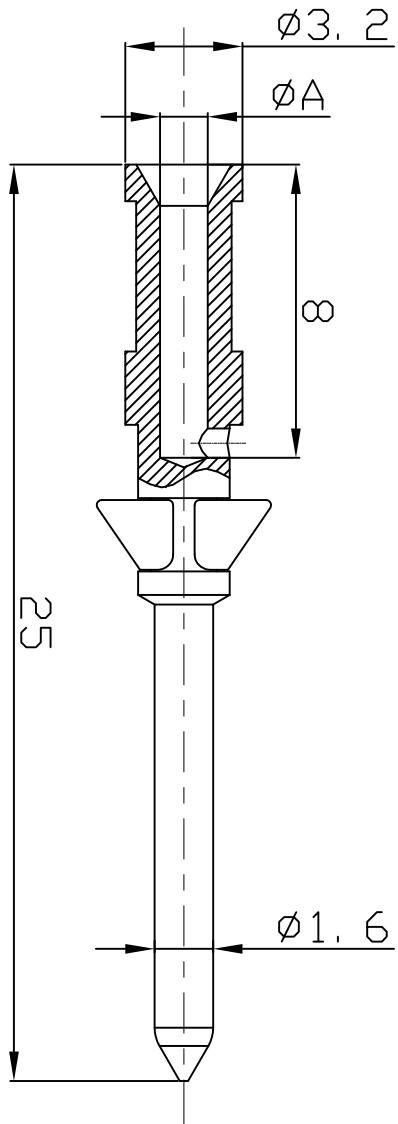


REVISION RECORD				
REV	ECN	DESCRIPTION	DRFT	DATE

Type of products	(ØA)	Wire gauge		Recommended stripping length
		(mm ²)	(AWG)	
10A-GM-0.37	0.9	0.14-0.37	26-22	8mm
10A-GM-0.5	1.1	0.50	20	8mm
10A-GM-0.75	1.3	0.75	18	8mm
◆ 10A-GM-1.0	1.45	1.00	18	8mm
10A-GM-1.5	1.75	1.50	16	8mm
10A-GM-2.5	2.25	2.50	14	6mm



Crimp contacts

01. Material :Copper alloy
02. Surface :Hard-Gold plated
03. Contact resistance : $\leq 3m\Omega$
04. Terminal :Crimp connection
05. Wire gauge : 0.37-2.5mm² (AWG 22-14)
06. Rohs Compliance

ITEM	NAME OF PART	NO. OF PART	QTY	MATERIAL	NOTES

DETACHED LISTS			
PART NO.: /	NAME: DEGSON ® NINGBO DEGSON ELECTRICAL CO., LTD 宁波高松电子有限公司		
APPD: /	10A-Male Contacts(Gold-plated)		
CHKD: /	TITLE: CUSTOMER DRAWING		
DRFT: Mr. Yang 2016.08.08	DRAWING NO.: /	REV	DO
THIRD ANGLE PROJECTION	DO NOT SCALE DRAWING	SHEET	1/1
		SCALE	5:1