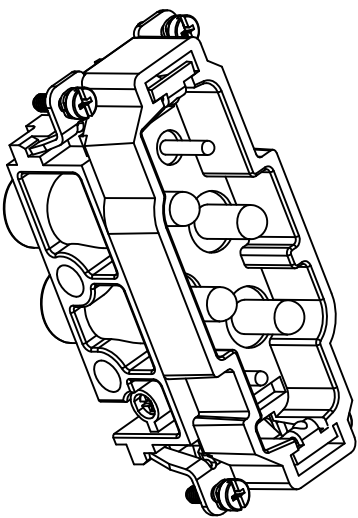
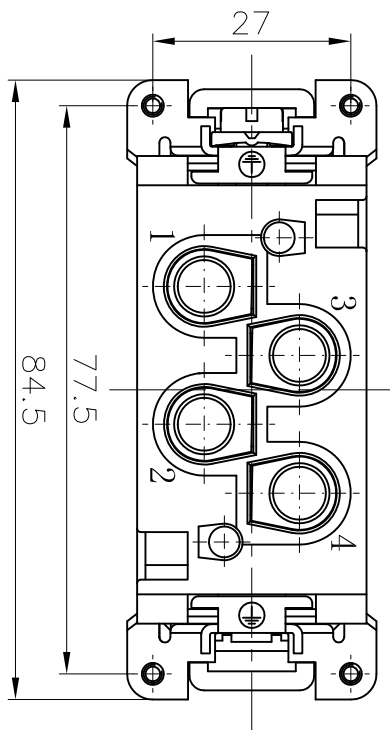
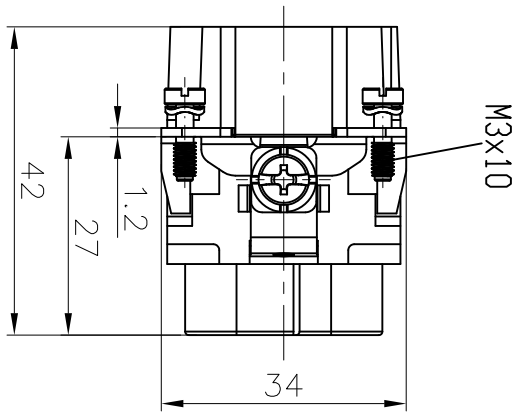


REVISION RECORD				
REV	ECN	DESCRIPTION	DRFT	DATE



Technical characteristics:

Specifications  
 DIN EN 60 664-1  
 DIN EN 61 984

Inserts

- 01. Number of contacts :4/2+PE
- 02. Rated Current :80A/16A
- 03. Rated Voltage :690V/400V
- 04. Pollution degree :3
- 05. Rated impulse voltage :8kV<sub>10</sub>
- 06. Insulation resistance :≥10Ω
- 07. Material:Polycarbonate
- 08. Rated voltage acc. to UL/CSA:600V/300V
- 09. Limiting temperatures : -40℃~+125℃
- 10. Flammability acc. to UL94:V0
- 11. Mechanical working life (mating cycles) : ≥500

Contacts

- Power contacts
- 01. Material:Copper alloy
- 02. Surface:hard-silver plated
- 03. Contact resistance : ≤0.3mΩ
- 04. Terminal :Screw terminal
- 05. Wire gauge : 1.5-16mm<sup>2</sup> (AWG16-6)
- 06. Tightening torque :
 

mm <sup>2</sup>	1.5	2.5	4	6	10	16
Nm	1.2	2	3	3	3	3
- 07. Stripping length : 14mm
- 08. Robs Compliance

DETACHED LISTS			
PART NO.:	/		
APPD:			
CHKD:			
DRFT:	YANG	2016.07.28	
NAME:		NINGBO DEGSON ELECTRICAL CO., LTD 宁波高松电子有限公司	
TITLE:		CUSTOMER DRAWING	
DRAWING NO.:	DK-4/O-M-E01	REV	DO-1
SCALE		1:1	

A 8 7 6 5 4 3 2 1