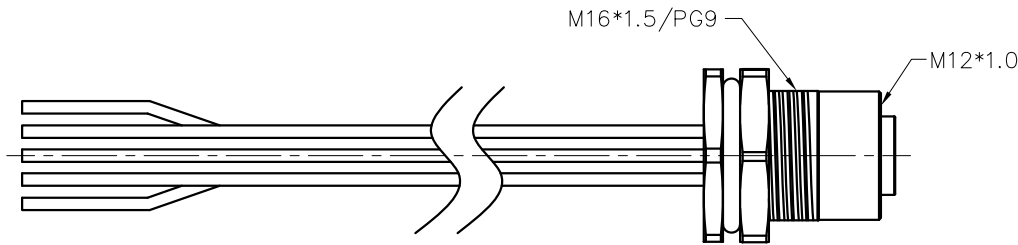
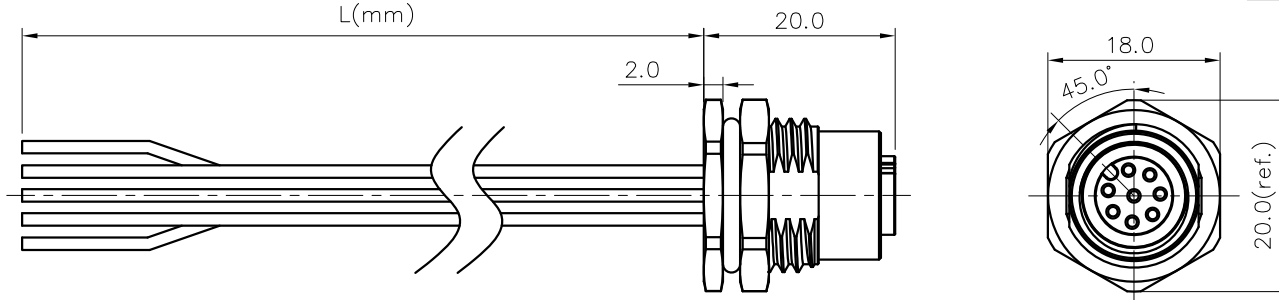


REVISION RECORD

REV	ECN	DESCRIPTION	DRFT	DATE



3pin A Coding		4pin A Coding		5pin A Coding		6pin A Coding		8pin A Coding	
Pin Assignments Front View		Pin Assignments Front View		Pin Assignments Front View		Pin Assignments Front View		Pin Assignments Front View	
4	Black	4	Black	5	Grey	7	Blue	8	Red
3	Blue	3	Blue	4	Black	6	Pink	7	Blue
1	Brown	2	White	3	Blue	5	Grey	6	Pink
Pin	Wire Color	Pin	Wire Color	Pin	Wire Color	Pin	Wire Color	Pin	Wire Color
Pin Out		Pin Out		Pin Out		Pin Out		Pin Out	

SD-M12X-XXP-FF-SF8XXX-00A(H)

Coding: A,B,D

Pin number: 03,04,05, 06,08,10,12

Thread specification: A: PG9; B: M16*1.5

XX: 150~1500mm
 15: 150±15mm
 30: 300±20mm
 50: 500±20mm
 A0: 1000±40mm
 A5: 1500±40mm
 Wire Length L: 150~1500mm

DETACHED LISTS	PART NO.: SDM12XXXPF8SF8XXX00AH	宁波高松电子有限公司 NINGBO DEGSON ELECTRICAL CO., LTD		
	APPD:	NAME: SD-M12X-XXP-FF-SF8XXX-00A(H)		
	DRFT: SQ 2019.05.17	TITLE: CUSTOMER DRAWING	REV: D0-1	A
	THIRD ANGLE PROJECTION		DRAWING NO.: XXXXXXXX-XX-CXX	SHEET: 1/2
		MM (INCH)	DO NOT SCALE DRAWING	SCALE: 1:1

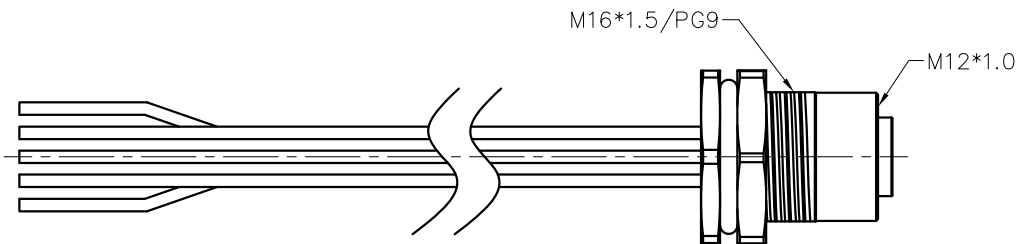
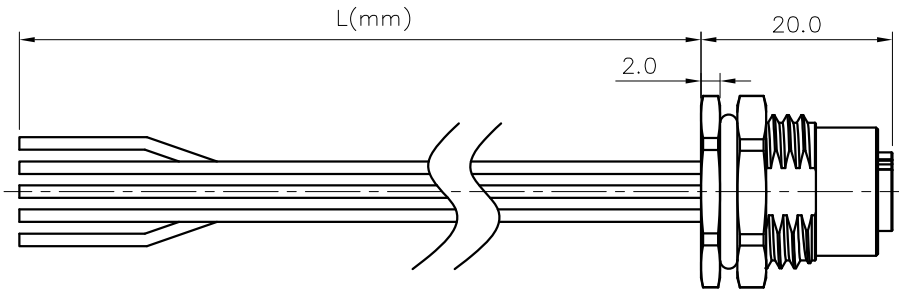
REVISION RECORD

REV	ECN	DESCRIPTION	DRFT	DATE
-----	-----	-------------	------	------

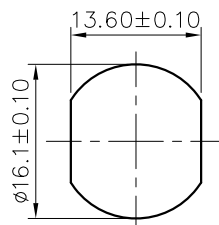
NOTES:

- Rated voltage/current : 3pin A: 250V / 4A
4pin A: 250V / 4A
5pin A: 60V / 4A
6pin A: 30V / 2A
8pin A: 30V / 2A
10pin A: 30V / 1.5A
12pin A: 30V / 1.5A
5pin B: 60V / 4A
4pin D: 250V / 4A
- Withstanding voltage : 3,4pin: AC1500V/1Min
5pin: AC1120V/1Min
6,8pin: AC500V/1Min
10,12pin: AC500V/1Min
5pin B: AC1120V/1Min
4pin D: AC1500V/1Min
- Levels of protection: IP68
- Wire specifications :
3pin A: 22AWG/0.34mm²,UL1061
4pin A: 22AWG/0.34mm²,UL1061
5pin A: 22AWG/0.34mm²,UL1061
6pin A: 24AWG/0.25mm²,UL1061
8pin A: 24AWG/0.25mm²,UL1061
10pin A: 26AWG/0.14mm²,UL1061
12pin A: 26AWG/0.14mm²,UL1061
5pin B: 22AWG/0.34mm²,UL1061
4pin D: 22AWG/0.34mm²,UL1061
- Wire connection mode: soldering
- Operating temperature: -25°C~+80°C
- For Panel Thickness Max: 4.5mm
- RoHS Compliance
- Tolerance :

.X	±0.25mm
.XX	±0.1mm
∠	±1°

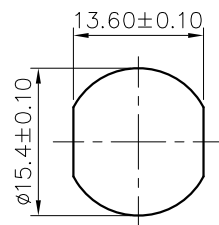


Thread specification:
M16*1.5



Panel Mounted

Thread specification:
PG9



Panel Mounted

10pin A Coding	12pin A Coding	5pin B Coding	4pin D Coding
Pin Assignments Front View	Pin Assignments Front View	Pin Assignments Front View	Pin Assignments Front View
	12 Red/Blue		
	11 Grey/Pink		
10 Violet	10 Violet		
9 Red	9 Red		
8 Grey	8 Grey		
7 Black	7 Black		
6 Yellow	6 Yellow		
5 Pink	5 Pink	5 Grey	
4 Green	4 Green	4 Black	4 Black
3 White	3 White	3 Blue	3 Blue
2 Blue	2 Blue	2 White	2 White
1 Brown	1 Brown	1 Brown	1 Brown
Pin Wire Color	Pin Wire Color	Pin Wire Color	Pin Wire Color
Pin Out	Pin Out	Pin Out	Pin Out

DETACHED LISTS	PART NO.: SDM12XXXPF8SF8XXX00AH	宁波高松电子有限公司 NINGBO DEGSON ELECTRICAL CO., LTD		
	APPD:	NAME: SD-M12X-XXP-FF-SF8XXX-00A(H)		
	CHKD:	TITLE: CUSTOMER DRAWING		
	DRFT: SQ 2019.05.17	REV	D0-1	
		DRAWING NO.: XXXXXXX-XX-CXX	SHEET	2/2
THIRD ANGLE PROJECTION	MM (INCH)	DO NOT SCALE DRAWING	SCALE 1:1	