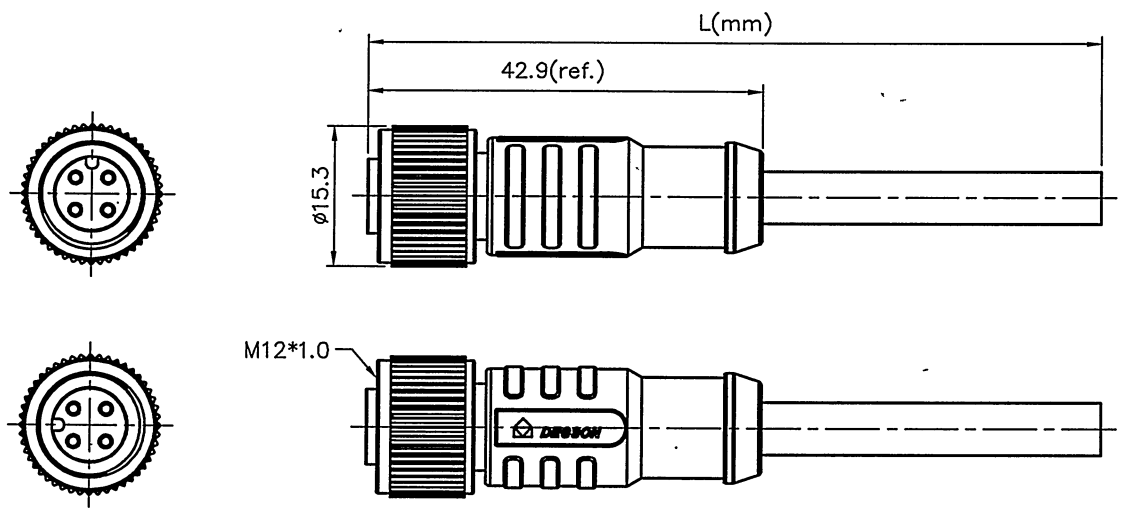


REVISION RECORD				
REV	ECN	DESCRIPTION	DRFT	DATE



NOTES:

- Rated voltage/current : 3pin A: 250V / 4A
4pin A: 250V / 4A
5pin A: 60V / 4A
6pin A: 30V / 2A
8pin A: 30V / 2A
- Withstanding voltage : 3,4pin: AC1500V/1Min
5pin: AC1120V/1Min
6,8pin: AC500V/1Min
- Levels of protection: IP68
- Cable specifications :
3pin A: 3C*22AWG/0.34mm²,UL2517/UL20549
4pin A: 4C*22AWG/0.34mm²,UL2517/UL20549
5pin A: 5C*22AWG/0.34mm²,UL2517/UL20549
6pin A: 6C*24AWG/0.25mm²,UL2517/UL20549
8pin A: 8C*24AWG/0.25mm²,UL2517/UL20549
- Wire connection mode: soldering
- Operating temperature: PVC Cable: -25°C~+85°C
PUR Cable: -25°C~+80°C
- RoHS Compliance
- Tolerance : ±0.5mm

3pin A Coding	4pin A Coding	5pin A Coding	6pin A Coding	8pin A Coding
Pin Assignments Front View	Pin Assignments Front View	Pin Assignments Front View	Pin Assignments Front View	Pin Assignments Front View
			7 Blue	8 Red
			6 Pink	7 Blue
		5 Grey		6 Pink
4 Black	4 Black	4 Black	4 Yellow	5 Grey
3 Blue	3 Blue	3 Blue	3 Green	4 Yellow
	2 White	2 White	2 Brown	3 Green
1 Brown	1 Brown	1 Brown	1 White	2 Brown
Pin Wire Color	Pin Wire Color	Pin Wire Color	Pin Wire Color	Pin Wire Color
Pin Out	Pin Out	Pin Out	Pin Out	Pin Out

PM-M12X-XXP-FF-SL8XXX-00A(H)

Coding: A,B,D

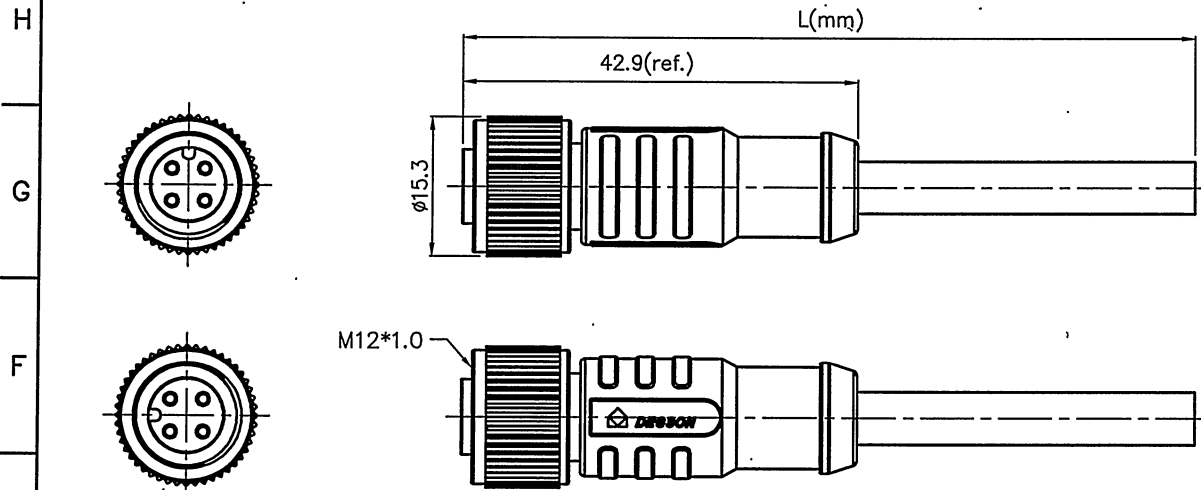
Pin number: 03,04, 05,06,08, 10,12

Cable length L: 01: 1M ... 99: 99M
The line grows business trip: 01~05m: ± 50mm 06~10m: ± 100mm 11~30m: ± 200mm 31~99m: ± 500mm

Cable jacket:
A: PVC UL2517;
B: PUR UL20549
C: PVC UL2517 For UL Approve
D: PUR UL20549 For UL Approve

DETACHED LISTS	PART NO.: PMM12XXXPFFSL8XXX00AH	宁波高松电子有限公司 NINGBO DEGSON ELECTRICAL CO., LTD		
	APPD: ZX 20190903	NAME: PM-M12X-XXP-FF-SL8XXX-00A(H)		
	CHKD: LD 2019.7.3	TITLE: CUSTOMER DRAWING		
	DRFT: SQ 2019.08.31	REV	DO-2	
THIRD ANGLE PROJECTION		DRAWING NO.: XXXXXXX-XX-CXX	SHEET	1/2
MM (INCH)		DO NOT SCALE DRAWING	SCALE	1:1

REVISION RECORD				
REV	ECN	DESCRIPTION	DRFT	DATE



NOTES:

- Rated voltage/current : 10pin A: 30V / 1.5A
12pin A: 30V / 1.5A
5pin B: 60V / 4A
4pin D: 250V / 4A
- Withstanding voltage : 10,12pin: AC500V/1Min
5pin B: AC1120V/1Min
4pin D: AC1500V/1Min
- Levels of protection: IP68
- Cable specifications :
10pin A: 10C*26AWG/0.14mm²,UL2517/UL20549
12pin A: 12C*26AWG/0.14mm²,UL2517/UL20549
5pin B: 5C*22AWG/0.34mm²,UL2517/UL20549
4pin D: 4C*22AWG/0.34mm²,UL2517/UL20549
- Wire connection mode: soldering
- Operating temperature: PVC Cable: -25°C~+85°C
PUR Cable: -25°C~+80°C
- RoHS Compliance
- Tolerance : ±0.5mm

	10pin A Coding	12pin A Coding	5pin B Coding	4pin D Coding
D				
C	Pin Assignments Front View	Pin Assignments Front View	Pin Assignments Front View	Pin Assignments Front View
B		12 Red/Blue		
		11 Grey/Pink		
	10 Violet	10 Violet		
	9 Red	9 Red		
	8 Grey	8 Grey		
	7 Black	7 Black		
	6 Yellow	6 Yellow		
	5 Pink	5 Pink	5 Grey	
	4 Green	4 Green	4 Black	4 Black
	3 White	3 White	3 Blue	3 Blue
	2 Blue	2 Blue	2 White	2 White
A	1 Brown	1 Brown	1 Brown	1 Brown
	Pin Wire Color	Pin Wire Color	Pin Wire Color	Pin Wire Color
	Pin Out	Pin Out	Pin Out	Pin Out

PM-M12X-XXP-FF-SL8XXX-00A(H)

Coding: A,B,D
Pin number: 03,04,
05,06,08,
10,12

Cable length L:
01:1M
...
99:99M
The line grows business trip:
01~05m: ± 50mm
06~10m: ± 100mm
11~30m: ± 200mm
31~99m: ± 500mm

Cable jacket:
A: PVC UL2517;
B: PUR UL20549
C: PVC UL2517 For UL Approve
D: PUR UL20549 For UL Approve

DETACHED LISTS	PART NO.: PMM12XXXPFFSL8XXX00AH	宁波高松电子有限公司 NINGBO DEGSON ELECTRICAL CO., LTD		
	APPD: ZX 20190903	NAME: PM-M12X-XXP-FF-SL8XXX-00A(H)		
	CHKD: 20 219.9.3	TITLE: CUSTOMER DRAWING		
	DRFT: SQ 2019.08.31	REV	DO-2	
		DRAWING NO.: XXXXXXX-XX-CXX	SHEET	2/2
THIRD ANGLE PROJECTION		MM (INCH)	DO NOT SCALE DRAWING	SCALE 1:1