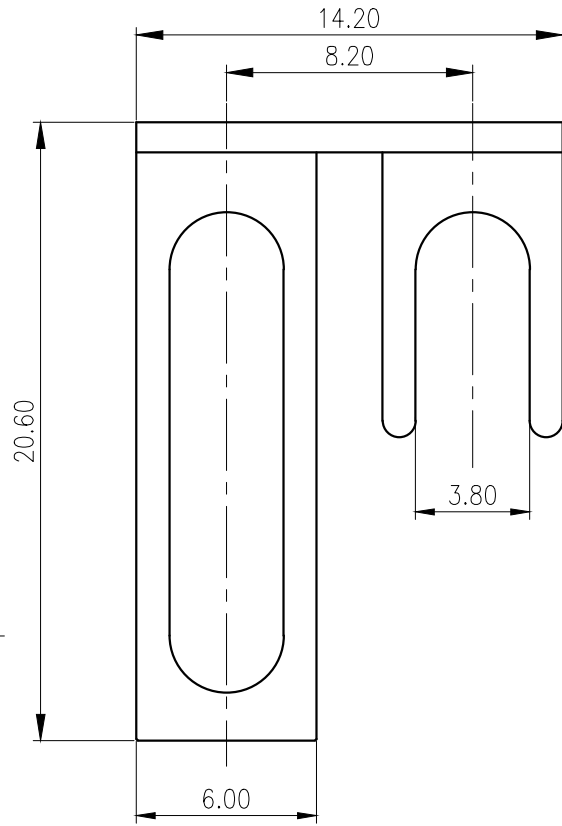
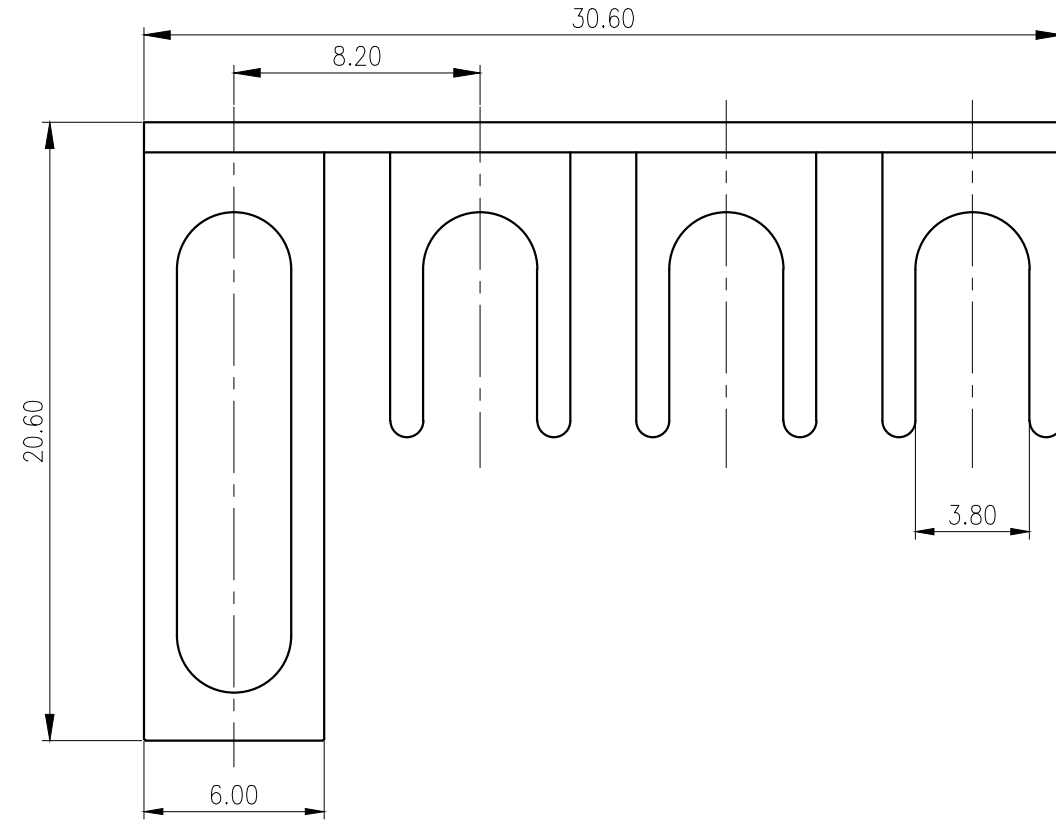


未注公差/General tolerances(mm)													0.1/10	
0 ~ 3	>3 ~ 6	>6 ~ 10	>10 ~ 18	>18 ~ 30	>30 ~ 50	>50 ~ 80	>80 ~ 120	>120 ~ 180	>180 ~ 250	>250 ~ 315	>315 ~ 400	>400 ~ 500		>500
±0.12	±0.18	±0.22	±0.26	±0.31	±0.37	±0.57	±0.80	±0.93	±1.05	±1.15	±1.60	±2.20	±2.50	±2'

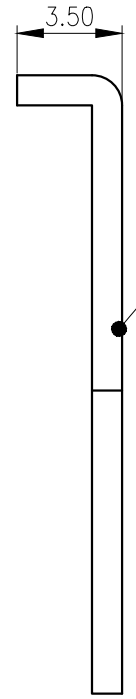


SB2

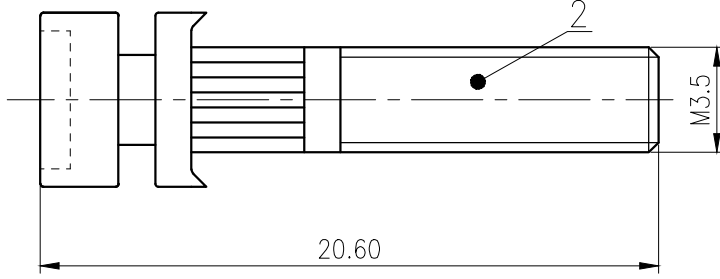
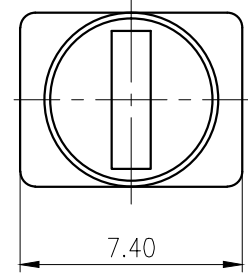
Screw



SB4



1



2	Screw	Copper alloy	M3.5/Ni Plated
1	Bridge	Copper	Sn Plated
ITEM	NAME OF PART	MATERIAL	NOTES
螺丝扭矩/Torque Tightening(N·m/Lb.in)		M3.5, 0.8/7.02	
间距/Pitch(mm)/线数范围/Poles		8.20/02,04P	
符合RoHS环保要求/Conform to RoHS		Yes	

MATERIAL: /	SURFACE: /		
MAT NO.: /	宁波高松电子有限公司 NINGBO DEGSON ELECTRICAL CO., LTD		
STATUS: /			
APPD: Li GL 2020.06.06	NAME: SBXX-RTK/S		
CHKD: Mao J 2020.06.06	DRAWING NO.: SB-RTK/S-C01		
DRFT: HuangS 2019.07.24	REV	D0-4	
⊕	SIZE: A4	TYPE: CUSTOMER DRAWING	SCALE: 4:1 SHEET 1/1

REV	ECN	DESCRIPTION	DRFT	DATE