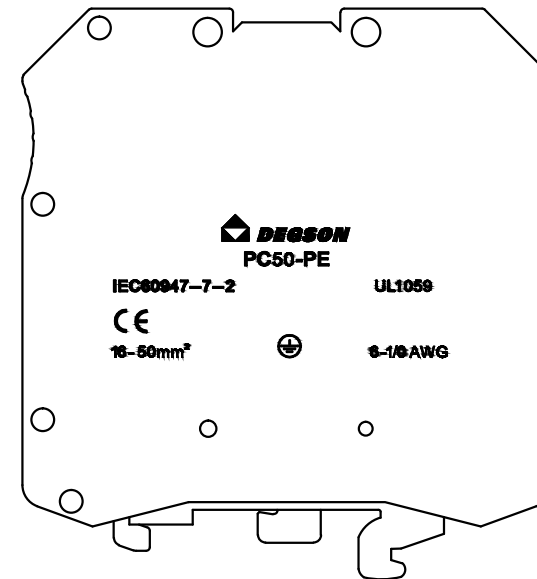
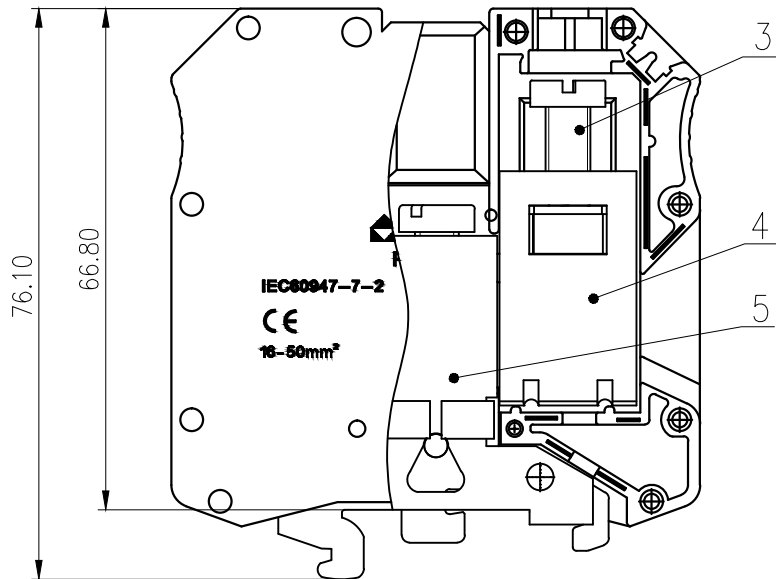
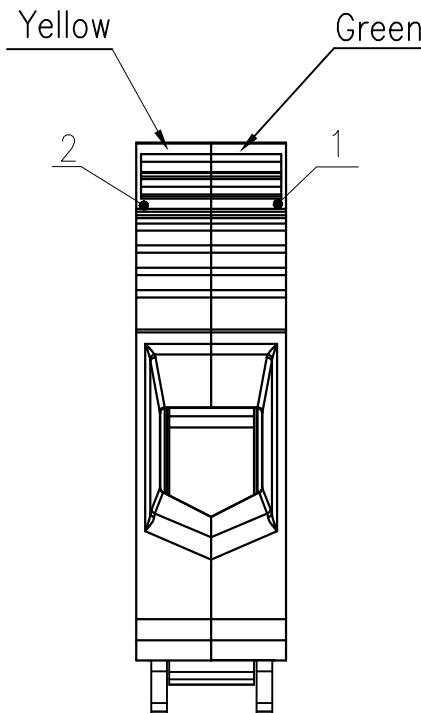
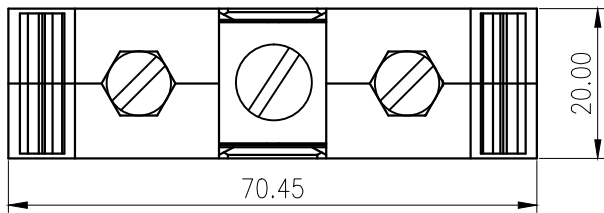


未注公差/General tolerances(mm)														0.1/10
0	>3	>6	>10	>18	>30	>50	>80	>120	>180	>250	>315	>400	>500	
~3	~6	~10	~18	~30	~50	~80	~120	~180	~250	~315	~400	~500	>500	
±0.12	±0.18	±0.22	±0.26	±0.31	±0.37	±0.57	±0.80	±0.93	±1.05	±1.15	±1.60	±2.20	±2.50	



UL 标准/UL Standard:	B	C	D
额定电压/电流/Rated Voltage(V)/Current(A)	/	/	/
IEC 标准/IEC Standard:			
过压类别/Overvoltage Category/污染等级/ Pollution Degree	III/3	/	/
额定电压/电流/Rated Voltage(V)/Current(A)	/	/	/
额定脉冲电压(KV)/Rate Impulse Voltage(KV)	8.0	/	/
螺丝扭矩/Torque Tightening(N·m/Lb.in)	M6, 2.5/22.15		
线径范围(硬线和软线)/Wire Range(rigid and flexible)(mm²/AWG)	16~50mm² 6~1/0AWG		
间距/Pitch(mm)/线数范围/Poles	20.0		
剥线长度/Stripping length(mm)	22~23		
使用温度范围/Operating temperature(°C)	-40~+105		
符合RoHS环保要求/Conform to RoHS	Yes		

ITEM	NAME OF PART	MATERIAL	NOTES
5	Ground contact		
4	Cage	Steel	M6/Zn Plated
3	Screw	Copper Alloy	M6/Zn Plated
2	Housing2	PA66	UL94V-0
1	Housing1	PA66	UL94V-0

REV	ECN	DESCRIPTION	DRFT	DATE

MATERIAL:	SURFACE:			
MAT NO.: /	宁波高松电子有限公司 NINGBO DEGSON ELECTRICAL CO., LTD			
STATUS: /				
APPD: Li GL 2020.06.04	NAME: PC50-PE-01P-1Y-00A(H)			
CHKD: Mao J 2020.06.04	DRAWING NO.: PC50-PE-C02		REV	T1
DRFT: Apple 2013.12.05	TYPE: CUSTOMER DRAWING		SCALE: 1:1	SHEET 1/1