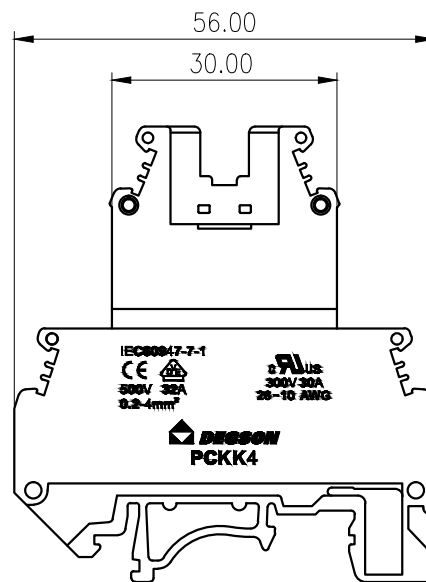
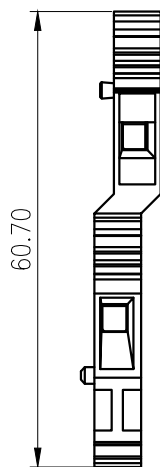
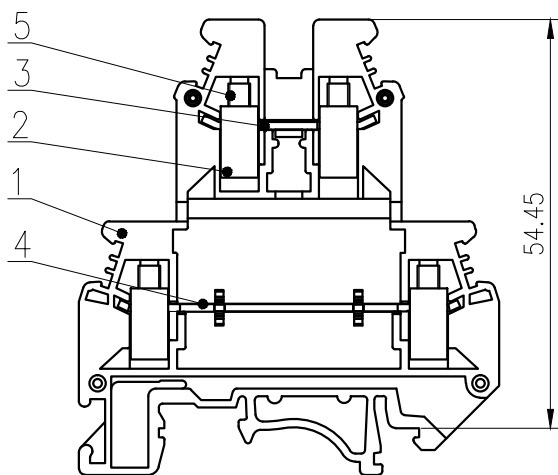
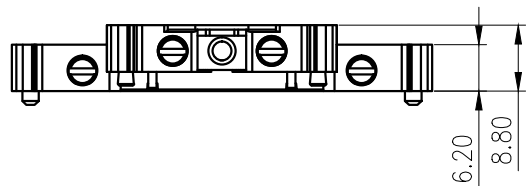


未注公差/General tolerances(mm)													
0	>3	>6	>10	>18	>30	>50	>80	>120	>180	>250	>315	>400	>500
~3	~6	~10	~18	~30	~50	~80	~120	~180	~250	~315	~400	~500	>500
±0.12	±0.18	±0.22	±0.26	±0.31	±0.37	±0.57	±0.80	±0.93	±1.05	±1.15	±1.60	±2.20	±2.50

	0.1/10
	±2'



5	Screw	Copper alloy	M3/Ni Plated
4	Short Contact	Copper	Sn Plated
3	Long Contact	Copper	Sn Plated
2	Cage	Copper alloy	M3/Ni Plated
1	Housing	PA66	UL94V-0

ITEM	NAME OF PART	MATERIAL	NOTES
UL 标准/UL Standard:		B	C
额定电压/电流/Rated Voltage(V)/Current(A)		300/30	300/30
EC 标准/IEC Standard:			
过压类别/Overvoltage Category/污染等级/Pollution Degree		III/3	/
额定电压/电流/Rated Voltage(V)/Current(A)		500/32	/
额定脉冲电压(KV)/Rate Impulse Voltage(KV)		6	/
螺丝扭矩/Torque Tightening(N·m/Lb.in)		M3, 0.5/5.4	
线径范围(硬线和软线)/Wire Range(rigid and flexible)(mm²/AWG)		0.2~4.0/26~10	
间距/Pitch(mm)		6.2	
剥线长度/Stripping length(mm)		7-8	
使用温度范围/Operating temperature(°C)		-40~+105	
符合RoHS环保要求/Conform to RoHS		Yes	
标准颜色编号/Standard color number:		PANTONE / RAL	

MATERIAL: /	SURFACE: /		
MAT NO.: /	宁波高松电子有限公司 DEGSON® NINGBO DEGSON ELECTRICAL CO., LTD		
STATUS: /			
APPD: LiGL 2020.04.07	NAME: PCKK4-01P-1Y-00A(H)		
CHKD: MaoJ 2020.04.07	DRAWING NO.: PCKK4-C01		
DRFT: Wang Y 2020.04.07	REV	TO	

REV	ECN	DESCRIPTION	DRFT	DATE	SIZE: A4	TYPE: CUSTOMER DRAWING	SCALE: 1:1	SHEET	1/1
1									