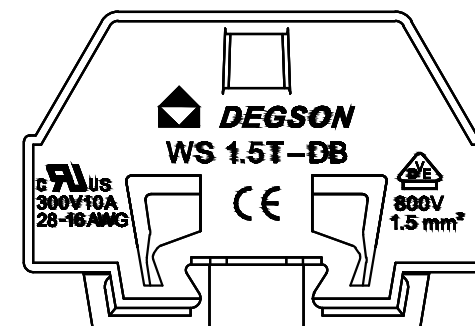
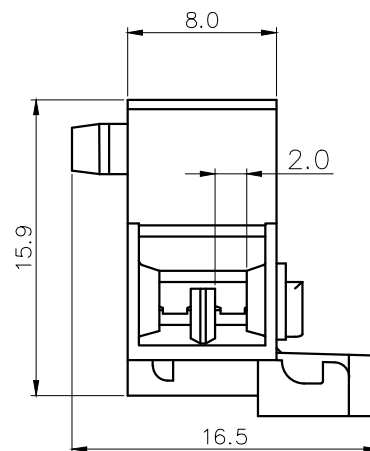
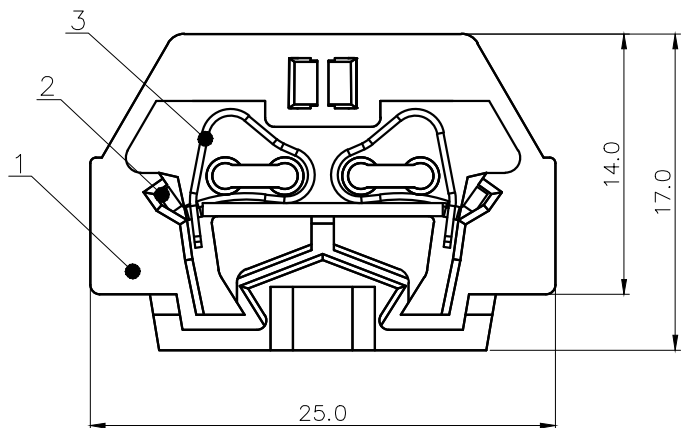
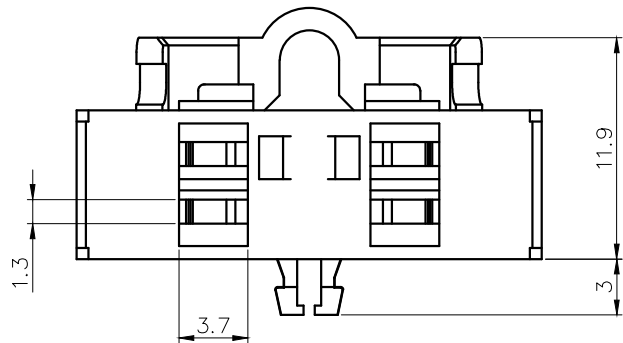


| REVISION RECORD | | | | |
|-----------------|-----|-------------|------|------|
| REV | ECN | DESCRIPTION | DRFT | DATE |
| | | | | |



NOTES1:

UL Standard

- 1.Rated voltage/current : 300V / 10A
- 2.Withstanding voltage : AC1600V/1Min.
- 3.Wire range : 28~16AWG

IEC Standard

| | |
|--------------------------|-------|
| 1. Pollution degree | 3 |
| Overtoltage category | III |
| Rate impulse voltage(KV) | 8.0KV |
| Rate voltage(V) | 800V |
| Rate current(A) | 17.5A |

2.Wire range : 0.2~1.5mm²

NOTES2:

- 1.Dimension shall be interpreted per ASME Y14.5-2009
- 2.Stripping length : 8~9mm
- 3.Operating temperature: -40°C~+105°C
- 4.Undimensioned tolerances:

| Pitch Range In mm | | Nominal Dimension Range In mm | | | | | | | Tolerances | |
|-------------------|-------|-------------------------------|-------|-------|-------|-------|-------|--------|------------|--|
| TO | Over | Over | TO | Over | Over | Over | Over | 0.1/10 | | |
| 6 | 10 | 24 | 30 | 60 | 100 | 150 | 150 | | | |
| ±0.15 | ±0.20 | ±0.30 | ±0.30 | ±0.50 | ±0.70 | ±1.00 | ±1.30 | ±2' | | |

5.RoHS Compliance

| | | | | | |
|------------------------|----------------------------|----------------------|------------|---|------------|
| DETACHED LISTS | PART NO.: | / | | | |
| | APPD: | LiGL | 2020.05.28 | NAME: DEGSON NINGBO DEGSON ELECTRICAL CO., LTD | |
| | CHKD: | MaoJ | 2020.05.28 | WS1.5T-DB-01P-1Y-100A(H) | |
| | DRFT: | Ding | 2020.05.13 | TITLE: CUSTOMER DRAWING | REV: T1 |
| | DRAWING NO.: WS1.5T-DB-C03 | | SHEET: 1/1 | | SCALE: 1:1 |
| THIRD ANGLE PROJECTION | | DO NOT SCALE DRAWING | | SCALE: 1:1 | |