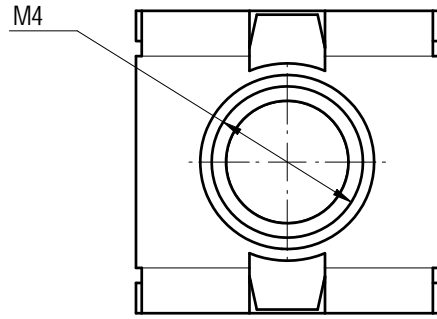
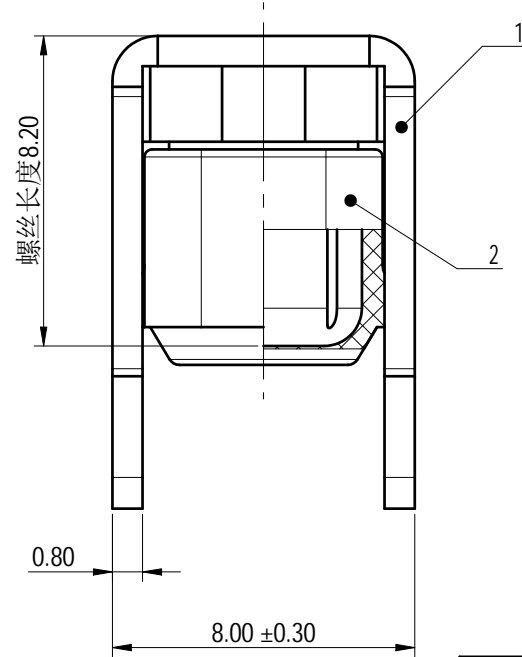
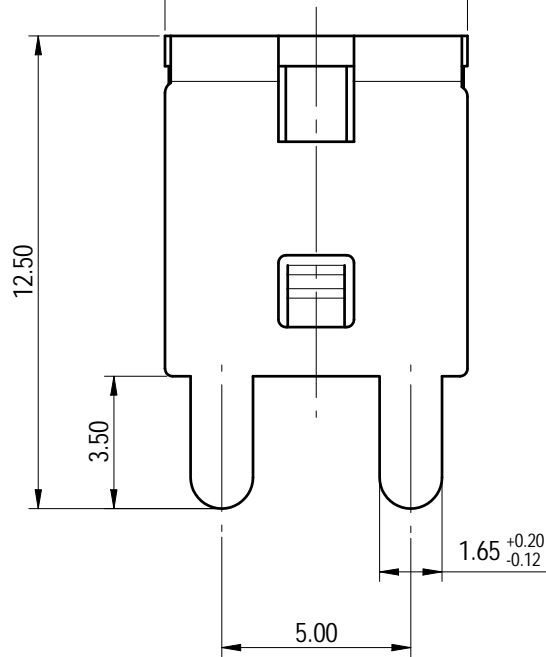
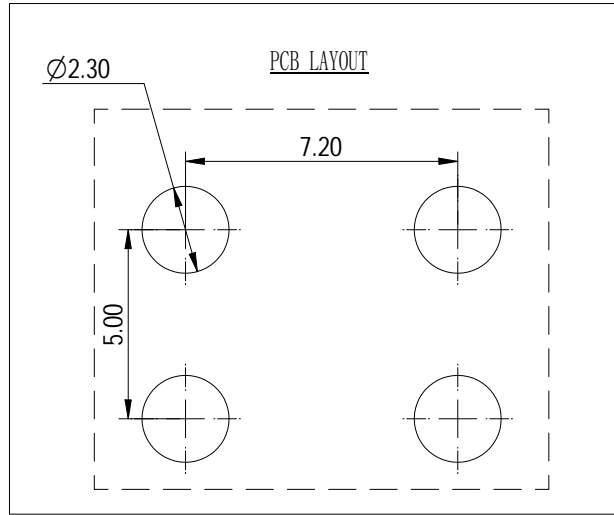


Transfer or duplication of this document as well as the utilization or communication of its contents are prohibited unless authorized in writing by Degson. All rights reserved for patent, utility model or design registrations. 除专利等明确标注外，其他内容均受法律保护。未经许可，不得复制或传播。 本公司保留对产品及零件、材料规格和尺寸的所有权利。

未注公差/General tolerances (mm)													0.1/10 ±2'	
0 ~ 3	>3 ~ 6	>6 ~ 10	>10 ~ 18	>18 ~ 30	>30 ~ 50	>50 ~ 80	>80 ~ 120	>120 ~ 180	>180 ~ 250	>250 ~ 315	>315 ~ 400	>400 ~ 500		>500
±0.12	±0.18	±0.22	±0.26	±0.31	±0.37	±0.57	±0.80	±0.93	±1.05	±1.15	±1.60	±2.20	±2.50	



8.00



2	Housing	PA66	UL94V-0
1	Pin header	Copper alloy	Sn Plated
ITEM	NAME OF PART	MATERIAL	NOTES
额定电流/Rated Current(A)			50A
螺丝扭矩/Torque Tightening(N·m/Lb.in)			M4, 1.5/13.28
符合RoHS环保要求/Conform to RoHS			Yes

		MATERIAL:		SURFACE/COLOR:	
		MAT NO./REV: 10902000187-1 / 00		MAT STATUS: 批量	
APPD: 蓝贵凡	2023.06.06	NAME			
CHKD: 曹利彬	2023.06.06	K145-12A(H)			
DRFT: 姜民洁	2023.06.06				
DRAWING NO. 200196984		TYPE CUSTOMER DRAWING		DRAWING STATUS 已发布	
SCALE 1:1		SHEET 1/1			

REV	ECN	DESCRIPTION	DRFT	DATE
00			姜民洁	2023.06.06