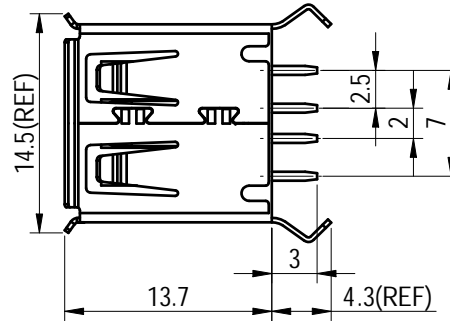
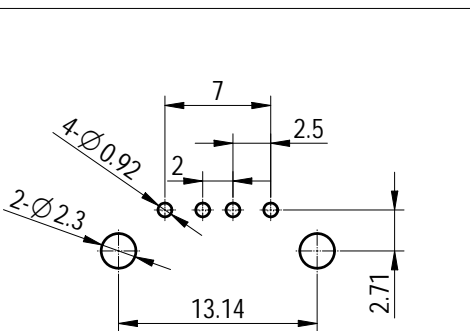
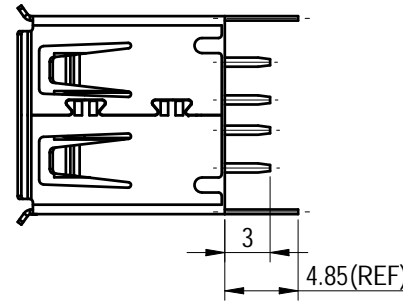


BEND TYPE →



STRAIGHT TYPE →



RECOMMEND PCB LAYOUT  
(TOLERANCE=±0.05)

NOTES:

1. SPECIFICATIONS:

- 1.0 CONTACT RESISTANCE: 30mΩ max.
- 1.1 INSULATOR RESISTANCE: 1000MΩ min. AT DC 500V.
- 1.2 CURRENT RATING: 1.5A.
- 1.3 VOLTAGE RATING: 30V AC/DC.
- 1.4 DIELECTRIC STRENGTH: AC 500V FOR 1 Minute.

2. MATERIALS:

- 2.0 HOUSING: PBT+30% GLASS FIBER(UL 94-0).
- 2.1 CONTACT: COPPER ALLOY
- 2.2 SHELL: COPPER ALLOY OR STEEL.

3. PRODUCT NUMBER CODE:

DG1095 - 09 - X X X X - X

MATERIAL OF SHELL  
Fe: Steel  
N/A Code: Copper Alloy

CONTACT PLATING  
0: Selective gold flash  
03: Selective gold 3u"  
30: Selective gold 30u"

BOARDLOCK TYPE  
S: Straight type  
B: Bend type

SHELL PLATING:  
N: Nickel  
6: Tin

COLOR OF HOUSING:  
W: White  
B: Black

GENERAL TOLERANCE			MATERIAL:		SURFACE/COLOR:	
X	±0.60		MAT NO./REV:		MAT STATUS: 批量	
X	±0.38	APPD: 兰春华	2023.08.01	NAME		
XX	±0.25	CHKD: 陈招	2023.08.01	DG1095-09-XXXX-X		
REV	ECN	DRFT: 唐本恒	2023.07.31	DRAWING NO.	TYPE	DRAWING STATUS
00		唐本恒	2023.07.31	200035066	CUSTOMER DRAWING	已发布
DESCRIPTION		DATE		SCALE	SHEET	
				1:1	1/1	

Transfer or duplication of this document as well as the utilization or communication of its contents are prohibited unless explicit authorization is granted. Violations will be liable for compensation. All rights reserved for patent, utility model or design registrations. 除专利等明确授权外, 否则禁止转让、复制、引用、交流等文件的使用。 未经授权擅自复制或传播文件, 公司将保留追究法律责任的权利。