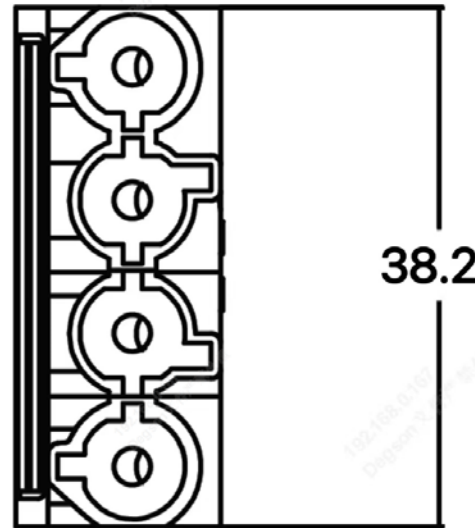
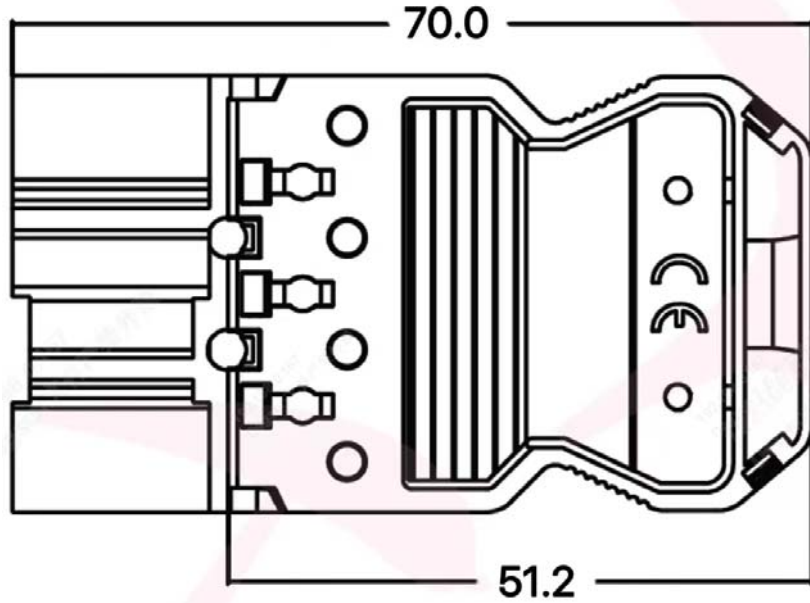
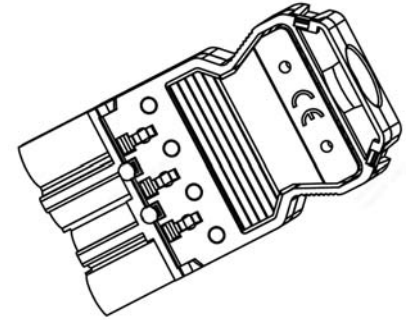


未注公差/General tolerances (mm)												0.1/10	
0	>3	>6	>10	>18	>30	>50	>80	>120	>180	>250	>315		>400
~3	~6	~10	~18	~30	~50	~80	~120	~180	~250	~315	~400	~500	>500
±0.12	±0.18	±0.22	±0.26	±0.31	±0.37	±0.57	±0.80	±0.93	±1.05	±1.15	±1.60	±2.20	±2.50



UL 标准/UL Standard:	B	C	D
额定电压/电流/Rated Voltage(V)/Current(A)	600/16	/	/
IEC 标准/IEC Standard:			
过压类别/Overvoltage Category/污染等级/Pollution Degree	III/3	III/2	II/2
额定电压/电流/Rated Voltage(V)/Current(A)	400/16	/	/
额定脉冲电压(KV)/Rate Impulse Voltage(KV)	4	/	/
线径范围(硬线和软线)/Wire Range(rigid and flexible)(AWG/mm ²)	18~14 / 0.75~2.5		
螺丝扭矩/Tightening torque(N•m/Lb.in)	M3, 0.5/4.43		
线数范围/Poles	04P		
剥线长度/Stripping length(mm)	7		
使用温度范围/Operating temperature(°C)	-40~+105		

DEGSON		MATERIAL:	SURFACE/COLOR:	
MAT NO./REV:		/ 00	MAT STATUS: 批量	
APPD: 蓝贵凡	2024.05.20	NAME		
CHKD: 曹利彬	2024.05.20	DGBSC-PG01M/2.5-04P-13-00Z(H)		
DRFT: 孙科豪	2024.05.20	DRAWING NO.	TYPE	DRAWING STATUS
		200123508	CUSTOMER DRAWING	已发布
REV	ECN	DESCRIPTION	DRFT	DATE
00				
SCALE	SHEET			
2:1	1/1			

Transfer or duplication of this document as well as the utilization or communication of its contents are prohibited unless authorized in writing. All rights reserved for patent, utility model or design registrations. 除特别说明外，本文件的所有权、复制、使用、分发等文件均受法律保护。未经书面许可，不得复制或传播本文件内容。所有权利保留。