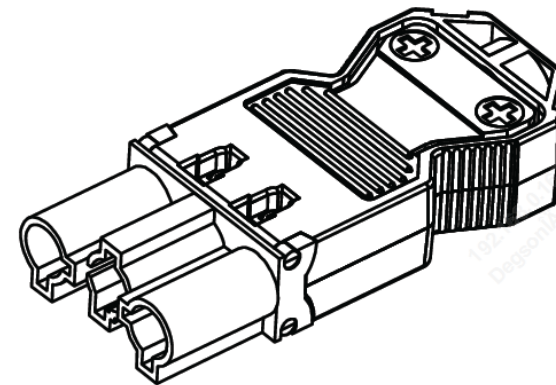
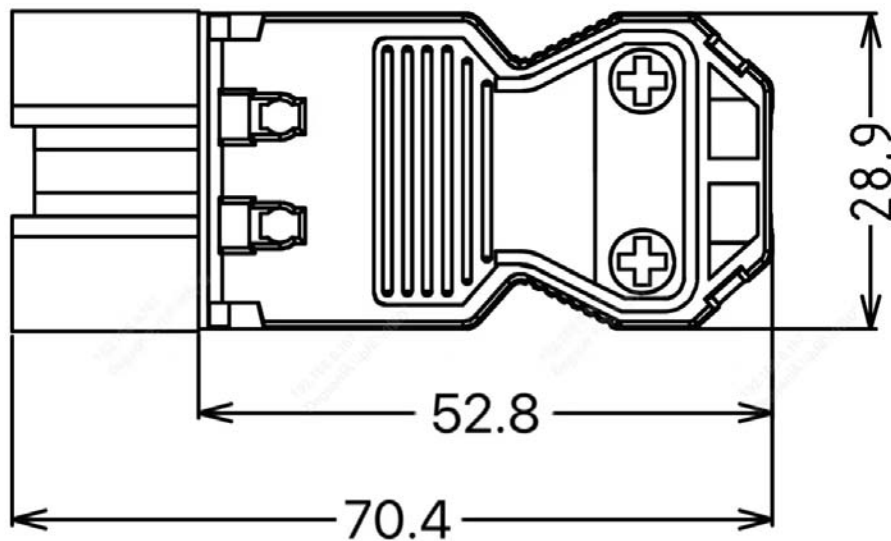
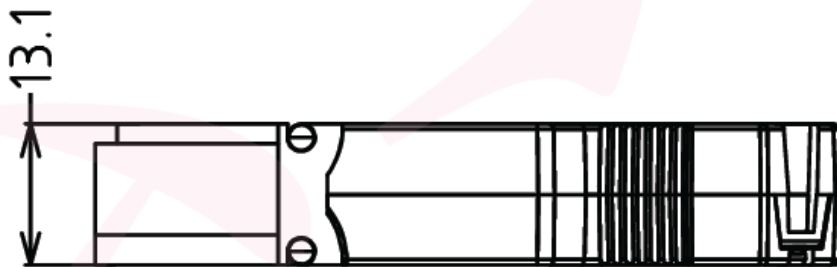


未注公差/General tolerances (mm)													0.1/10
0	>3	>6	>10	>18	>30	>50	>80	>120	>180	>250	>315	>400	
~3	~6	~10	~18	~30	~50	~80	~120	~180	~250	~315	~400	~500	±2'
±0.12	±0.18	±0.22	±0.26	±0.31	±0.37	±0.57	±0.80	±0.93	±1.05	±1.15	±1.60	±2.20	



UL 标准/UL Standard:	B	C	D
额定电压/电压/Rated Voltage(V)/Current(A)	600/16	/	/
IEC 标准/IEC Standard:			
过压类别/Overtoltage Category/污染等级/Pollution Degree	III/3	III/2	II/2
额定电压/电压/Rated Voltage(V)/Current(A)	250/16	/	/
额定脉冲电压 (KV)/Rate Impulse Voltage (KV)	4	/	/
线径范围(硬线和软线)/Wire Range(rigid and flexible)(AWG/mm²)	18~14 / 0.75~2.5		
螺丝扭矩/Tightening torque(N·m/Lb.in)	M3. 0.5/4.43		
线数范围/Poles	03P		
剥线长度/Stripping length(mm)	7		
使用温度范围/Operating temperature(°C)	-40~+105		

APPD: 蓝贵凡	2024.05.20
CHKD: 曹利彬	2024.05.20
DRFT: 孙科豪	2024.05.20

MATERIAL:	SURFACE/COLOR:	
MAT NO./REV:	/ 00	MAT STATUS: 批量
NAME	DGBSC-PG01M/2.5-03P-13-00Z(H)	
DRAWING NO.	TYPE	DRAWING STATUS
200123489	CUSTOMER DRAWING	已发布
SCALE	SHEET	
1:1	1/1	

REV	ECN	DESCRIPTION	DRFT	DATE
00				

Transfer or duplication of this document as well as the utilization or communication of its contents are prohibited unless authorized in writing. All rights reserved for patent, utility model or design registrations. 除专利、实用新型、外观设计、发明专利、软件著作权、集成电路布图设计专有权、商业秘密和与著作权有关的财产权外，其他权利均归本公司所有。