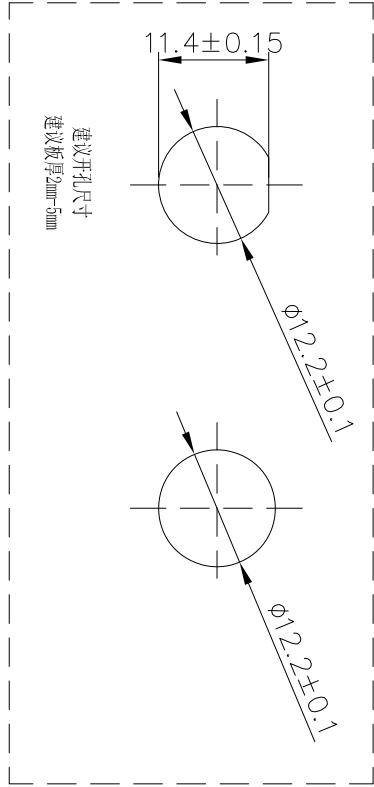


Dimensional tolerance(mm)	Length tolerance(mm)	$\frac{\text{D}}{10/10}$
0	>5000	$\pm 7$
~	>1000	
~	>500	
~	>150	
~	>150	
30	5000	
60	10000	
100	30000	
150	±205	
±55	±105	
±105	±205	
±505		
过压类别/Overvoltage Category	CAT III	
额定电压/Rated Voltage/Current	1500VDC/40A	
接触电阻/Contact resistance	≤0.4mΩ	
耐电压/Withstanding voltage	500V AC	
使用温度范围/Operating temperature(°C)	-40°C~+85°C	
防护等级/Levels of protection	IP68 (1m,24h)/IP65	
防护等级(未插合)/Levels of protection	IP2X	
连接类型/Type of termination	压接	
导体范围/Wire range	2.5~6mm <sup>2</sup>	



序号/Item	名称/Description	数量/QTY
④	螺母/Screw	1
③	平垫圈/Flat	1
②	塑胶外壳/HSG	1
①	公针/Terminal	1



MATERIAL:	SURFACE COLOR:
MAT NO./REV:	MAT STATUS:

NAME: PV-DC-FM-PSC-01P-40A-8-00ZH

DRW	MP Cno	23/12/06	DRAWING NO.	DRAWING STATUS	SCALE
REV	EON		DESCRIPTION		
			DRAFT		
			DATE		