

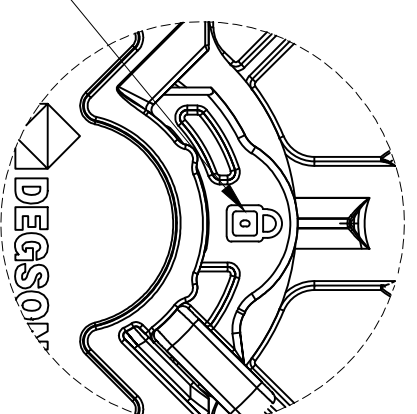
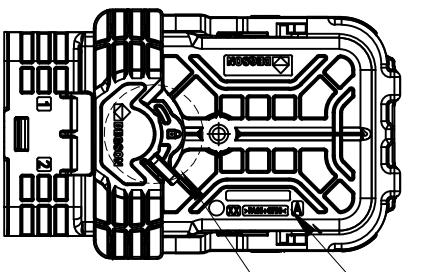
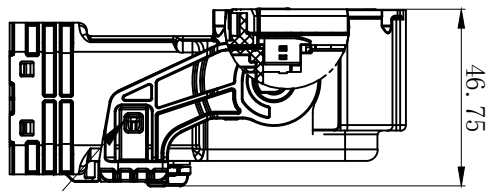
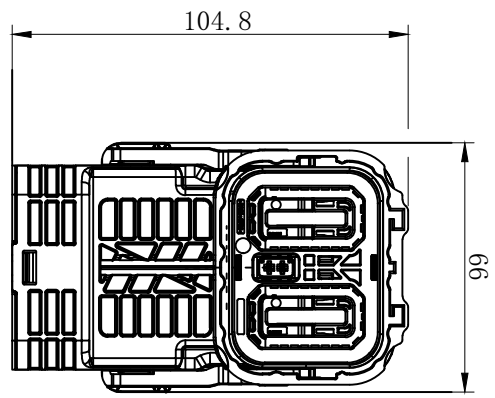
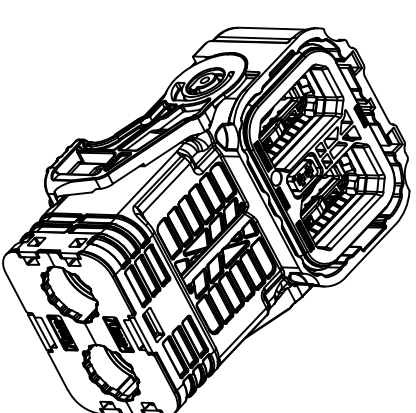
客户图

Drawings for customers

公差参照/General tolerances according to(ISO2768-1 C)

>0.5/3	> 3/6	> 6/30	> 30/120	> 120/100	>100/1000	>1000/2000	>2000/10000
±0.2	±0.3	±0.5	±0.8	±1.2	±2	±3	±4

名称 Name	2芯1800-90度插头总成CodeA 2PIN1800-90deg Plug Assy-CodeA	2芯1800-90度插头总成CodeB 2PIN1800-90deg Plug Assy-CodeB	2芯1800-90度插头总成CodeC 2PIN1800-90deg Plug Assy-CodeC	2芯1800-90度插头总成CodeD 2PIN1800-90deg Plug Assy-CodeD
键位 Code	A	B	C	D
型号 Type	DBYR-02AX8-WXX	DBYR-02BX8-WXX	DBYR-02CX8-WXX	DBYR-02DX8-WXX
键位示意图 Different code view				
对插键位 Matching code	DBYR-02AX8-S70 (2芯1800-插座总成 CodeA)	DBYR-02BX8-S70 (2芯1800-插座总成 CodeB)	DBYR-02CX8-S70 (2芯1800-插座总成 CodeC)	DBYR-02DX8-S70 (2芯1800-插座总成 CodeD)



技术要求 Technical specification:

- 1、性能参数 Performance parameter:
 - a、工作温度 Temperature Range: -40°C~125°C
 - b、额定工作电压 Working Voltage: 1000V DC
 - c、额定工作电流 Current Capability:
 - 130A Max@25mm²
 - 200A Max@35mm²
 - 250A Max@50mm²
 - 280A Max@70mm²
 - d、工作海拔 Altitude: 5000M
 - e、绝缘电阻 Insulation resistance: >200MΩ 1000V DC
 - f、耐电压 Withstand voltage: <5mA Imin 3000V AC
 - g、防护等级 Class of protection: IP68, IP6K9K, IPXXB
- ★ 2、法律法规 Laws and regulations
 - a、阻燃等级 Flame retardant rating: UL94 V0
 - b、环保要求 Environmental protection requirement: RoHS 2.0

助力机构：锁止位置
Level: Locking position

键位 Code
View A

CPA：锁止位置图标
CPA: lock position icon

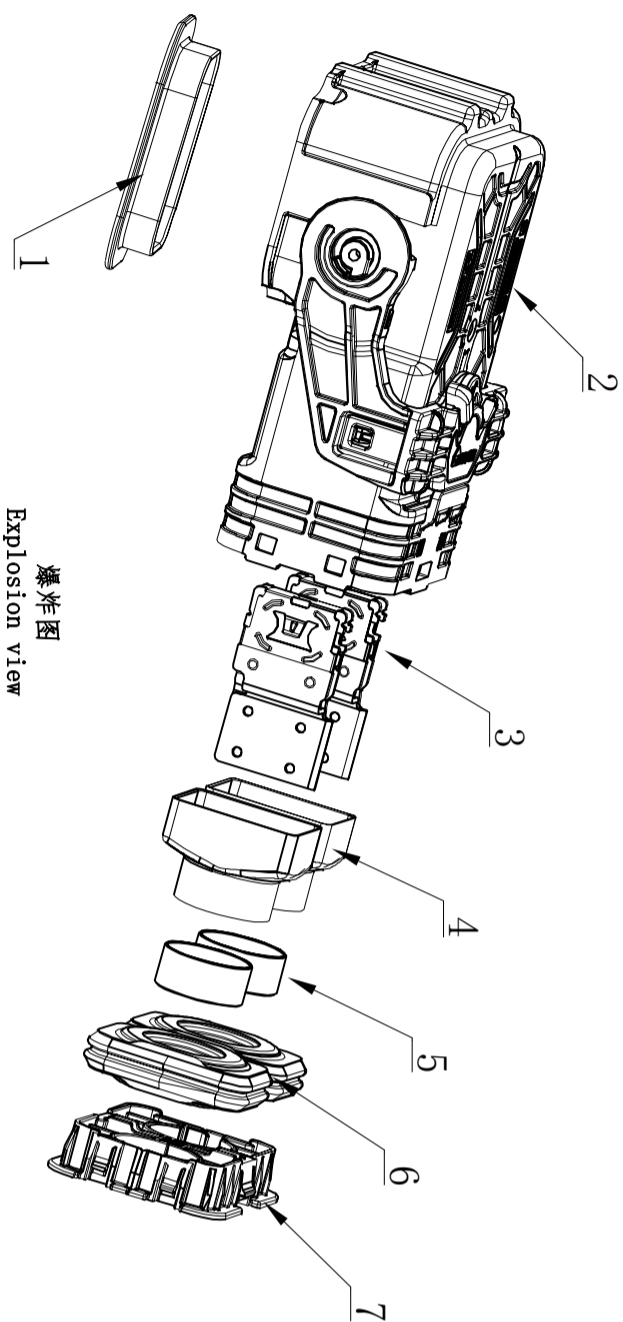
00		/	图纸首发/First edition drawing	00	00	00	00	00	00	00
图纸版本		ECN	变更描述	REV	ECN	DESCRIPTION	DRFT	DATE	DATE	DATE
00		/	图纸首发/First edition drawing	00	00	00	00	00	00	00
图纸版本		ECN	变更描述	REV	ECN	DESCRIPTION	DRFT	DATE	DATE	DATE

		材料/MATERIAL: / 表面效果/SURFACE: /	
批准/APPD	梁杰	2024.07.26	料号/P.N: 26040000011
审核/CHKD	李永乐	2024.07.26	样品状态/SMT STATUS: 批量/Quantity production
制图/DRFT	梁杰	2024.07.26	名称/NAME: 2芯1800-90度插头总成 2PIN1800-90deg Plug Assy
版次/REV	00		客户图纸/Customer drawing
类型/TYPE		图纸状态/DRAWING STATUS	比例/SCALE 1:2
页码/SHEET		1/2	

客户图

Drawings for customers

型号/料号 Type/PN	物料描述 Product description	子零件BOM Component BOM	No. 1				No. 2				No. 3		No. 4						No. 5				No. 6						No. 7				适用线缆外径 Applicable cable diameter (mm)	备注 Note	
			插头防尘盖 Plug dust cover	CodeA	CodeB	CodeC	CodeD	CodeA	CodeB	CodeC	CodeD	90度插头端子总成 90deg plug terminal assy	25sqmm	35sqmm	50sqmm	70sqmm	25sqmm	35sqmm	50sqmm	70sqmm	25sqmm	35sqmm	50sqmm	70sqmm	25sqmm	35sqmm	50sqmm	70sqmm	25sqmm	35sqmm	50sqmm	70sqmm			
DBYB-02DX8-W70 26040000032	70mm ² , CodeD, Shielded connector		1	-	-	-	1	-	-	2	-	-	-	-	-	-	-	-	-	-	-	-	-	-	-	-	-	-	-	-	-	-	-	17.8±0.4	
DBYB-02CX8-W70 26040000031	70mm ² , CodeC, Shielded connector		1	-	-	1	-	-	-	2	-	-	-	-	-	-	-	-	-	-	-	-	-	-	-	-	-	-	-	-	-	-	17.8±0.4		
DBYB-02BX8-W70 26040000030	70mm ² , CodeB, Shielded connector		1	-	1	-	-	-	-	2	-	-	-	-	-	-	-	-	-	-	-	-	-	-	-	-	-	-	-	-	-	-	17.8±0.4		
DBYB-02AX8-W70 26040000048	70mm ² , CodeA, Shielded connector		1	1	-	-	-	-	-	2	-	-	-	-	-	-	-	-	-	-	-	-	-	-	-	-	-	-	-	-	-	-	17.8±0.4		
DBYB-02DX8-W50 26040000036	50mm ² , CodeD, Shielded connector		1	-	-	-	1	-	-	2	-	-	-	-	-	-	-	-	-	-	-	-	-	-	-	-	-	-	-	-	-	-	15.5±0.3		
DBYB-02CX8-W50 26040000035	50mm ² , CodeC, Shielded connector		1	-	-	-	-	1	-	2	-	-	-	-	-	-	-	-	-	-	-	-	-	-	-	-	-	-	-	-	-	-	15.5±0.3		
DBYB-02BX8-W50 26040000034	50mm ² , CodeB, Shielded connector		1	-	1	-	-	-	-	2	-	-	-	-	-	-	-	-	-	-	-	-	-	-	-	-	-	-	-	-	-	-	15.5±0.3		
DBYB-02AX8-W50 26040000033	50mm ² , CodeA, Shielded connector		1	1	-	-	-	-	-	2	-	-	-	-	-	-	-	-	-	-	-	-	-	-	-	-	-	-	-	-	-	-	15.5±0.3		
DBYB-02DX8-W35 26040000040	35mm ² , CodeD, Shielded connector		1	-	-	-	-	1	-	2	-	-	-	-	-	-	-	-	-	-	-	-	-	-	-	-	-	-	-	-	-	-	14.1±0.3		
DBYB-02CX8-W35 26040000039	35mm ² , CodeC, Shielded connector		1	-	-	-	-	-	1	2	-	-	-	-	-	-	-	-	-	-	-	-	-	-	-	-	-	-	-	-	-	-	14.1±0.3		
DBYB-02BX8-W35 26040000038	35mm ² , CodeB, Shielded connector		1	-	1	-	-	-	-	2	-	-	-	-	-	-	-	-	-	-	-	-	-	-	-	-	-	-	-	-	-	-	14.1±0.3		
DBYB-02AX8-W35 26040000037	35mm ² , CodeA, Shielded connector		1	1	-	-	-	-	-	2	-	-	-	-	-	-	-	-	-	-	-	-	-	-	-	-	-	-	-	-	-	-	14.1±0.3		
DBYB-02DX8-W25 26040000044	25mm ² , CodeD, Shielded connector		1	-	-	-	-	-	1	2	-	-	-	-	-	-	-	-	-	-	-	-	-	-	-	-	-	-	-	-	-	-	11.9±0.3		
DBYB-02CX8-W25 26040000043	25mm ² , CodeC, Shielded connector		1	-	-	-	-	-	-	2	-	-	-	-	-	-	-	-	-	-	-	-	-	-	-	-	-	-	-	-	-	-	11.9±0.3		
DBYB-02BX8-W25 26040000042	25mm ² , CodeB, Shielded connector		1	-	1	-	-	-	-	2	-	-	-	-	-	-	-	-	-	-	-	-	-	-	-	-	-	-	-	-	-	-	11.9±0.3		
DBYB-02AX8-W25 26040000041	25mm ² , CodeA, Shielded connector		1	1	-	-	-	-	-	2	-	-	-	-	-	-	-	-	-	-	-	-	-	-	-	-	-	-	-	-	-	-	11.9±0.3		



爆炸图
Explosion view

注意 Note:
 1、线缆尺寸标准来源于LV216, 如线缆直径与LV216的不一致, 可能会引起装配困难或密封失效;
 2、每横排为装配一套产品所需要的数量。可按最左列成品料号购买, 也可单独按子零件料号购买子零件。
 2、Each row is the number required to assemble a set of products. It can be purchased by the finished part number in the leftmost column, or it can be purchased separately by the part number of the sub-part.

00	/	图纸首发/First edition drawing	欧霖	2024-07-26	变更描述	DESRIPTION	版本/REV	客户图纸/Customer drawing	比例/SCALE	2/2
REV	ECN	变更描述	设计人	设计日期	DATE	DRFT	审核/AMD	李京乐	2024.07.26	表面效果/SURFACE:
REV	ECN	变更描述	设计人	设计日期	DATE	DRFT	审核/AMD	李京乐	2024.07.26	样品状态/SAMPLE STATUS:批量/Quantity production



材料/MATERIAL: /
 料号/PN: 26040000041
 表面效果/SURFACE: /
 样品状态/SAMPLE STATUS:批量/Quantity production

2芯1800-90度插头总成
 2P IN1800-90deg Plug Assy

页码/SHEET
 2/2

F

E

D

C

B

A