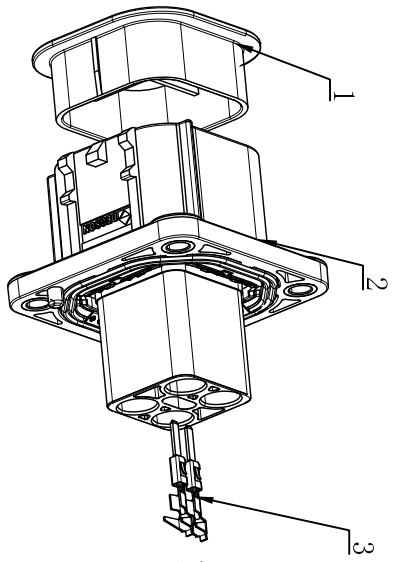


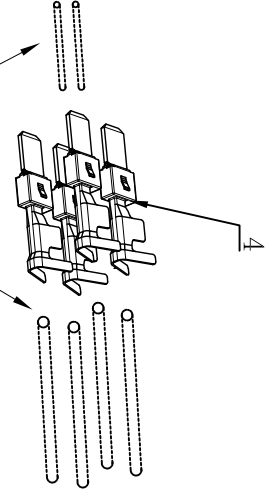
客户图

Drawings for customers

型号/Type/料号PN	物料描述 Product description	子零件BOM Component BOM	No. 1					No. 2					No. 3		No. 4		备注 Note		
			插座防尘盖 Header dust cover	CodeA	CodeB	CodeC	CodeD	CodeE	插座壳体总成 Header Housing Assy	CodeA	CodeB	CodeC	CodeD	CodeE	信号端子 Signal Terminal	功率端子 Power Terminal		键位 Code	
DBYR-04EB63-C06 26040000091	Shielded connector CodeE,		1	-	-	-	-	1	-	-	-	-	1	-	-	2	4	E	
DBYR-04DB63-C06 26040000090	Shielded connector CodeD,		1	-	-	-	-	-	1	-	-	-	-	-	-	2	4	D	
DBYR-04CB63-C06 26040000089	Shielded connector CodeC,		1	-	-	1	-	-	-	-	-	-	-	-	-	2	4	C	
DBYR-04AB63-C06 26040000088	Shielded connector CodeB,		1	-	1	-	-	-	-	-	-	-	-	-	-	2	4	B	
DBYR-04A63-C06 26040000087	Shielded connector CodeA,		1	1	-	-	-	-	-	-	-	-	-	-	-	2	4	A	
DBYR-04EB63-C04 26040000343	Shielded connector CodeE,		1	-	-	-	-	-	-	-	-	-	1	-	-	2	4	E	
DBYR-04DB63-C04 26040000342	Shielded connector CodeD,		1	-	-	-	-	-	1	-	-	-	-	-	-	2	4	D	
DBYR-04CB63-C04 26040000341	Shielded connector CodeC,		1	-	-	1	-	-	-	-	-	-	-	-	-	2	4	C	
DBYR-04AB63-C04 26040000340	Shielded connector CodeB,		1	-	1	-	-	-	-	-	-	-	-	-	-	2	4	B	
DBYR-04A63-C04 26040000339	Shielded connector CodeA,		1	1	-	-	-	-	-	-	-	-	-	-	-	2	4	A	



爆炸图
Explosion view



信号/功率线缆 (根据顾客需求进行定制)
Signal and power cable (customized according to customer needs)

注意 Note:
1、线缆尺寸标准来源于LV216, 如线缆直径与LV216的不一致, 可能会引起装配困难或密封失效;
2、每排为选配一套产品所需要的数量。可按最左列成品料号购买, 也可单独按子零件料号购买子零件;
2、Each row is the number required to assemble a set of products. It can be purchased separately by the finished part number in the leftmost column, or it can be purchased separately by the part number of the component.

00	/	图纸首次/First edition drawing	罗曼峰	2024-07-26	李永乐	2024.07.26	DEGSON	材料/MATERIAL: /	表面质量/SURFACE: /
00	EN	变更描述	罗曼峰	2024.07.26	李永乐	2024.07.26	DEGSON	料号/PN: 26040000339	样品状态/SAMPLE STATUS: 批量/quantity production
00		EN	变更描述	罗曼峰	2024.07.26	李永乐	2024.07.26	名称/NAME: 4芯(30-前置)总成(非单端防水) 4-core(30-前置) Header Assy (Non-single-end waterproof)	
00		EN	变更描述	罗曼峰	2024.07.26	李永乐	2024.07.26	版本/REV: 00	
00		EN	变更描述	罗曼峰	2024.07.26	李永乐	2024.07.26	客户图纸/Customer drawing	
00		EN	变更描述	罗曼峰	2024.07.26	李永乐	2024.07.26	图纸状态/DRAWING STATUS: 比例/SCALE: 1:2	
00		EN	变更描述	罗曼峰	2024.07.26	李永乐	2024.07.26	页码/SHEET: 2/2	