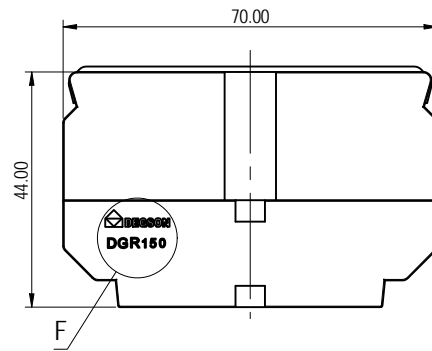
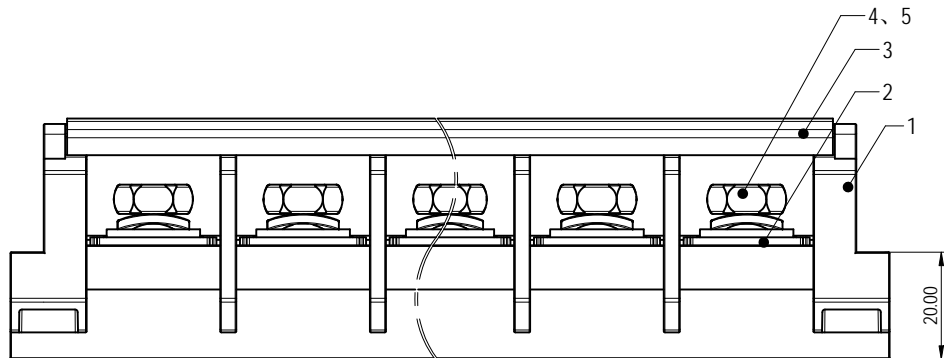
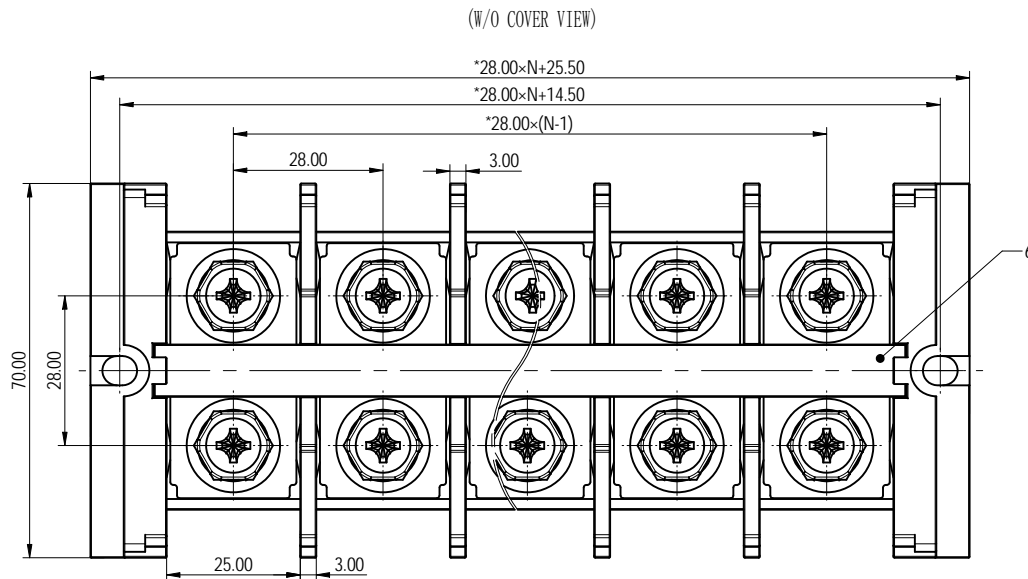


未注公差(General tolerances)(mm)													D 0.1/10
0	>3	>6	>10	>18	>30	>50	>80	>120	>180	>250	>315	>400	
±0.12	±0.18	±0.22	±0.26	±0.31	±0.37	±0.57	±0.80	±0.93	±1.05	±1.15	±1.60	±2.20	±2.50
													±2



ITEM	NAME OF PART	MATERIAL	NOTES
6	Tag	PVC	UL94V-0
5	Nut	Steel	Zn Plated
4	Screw	Steel	Zn Plated
3	Cover	PC	UL94V-2
2	Current_carrier	Copper	Sn Plated
1	Housing	PA66+GF	UL94V-0
ITEM	NAME OF PART	MATERIAL	NOTES
UL 标准/UL Standard:			
额定电压/电流/Rated Voltage(V)/Current(A)		B	C
600/150		600/150	600/5
螺丝扭矩/Torque Tightening(N·m/Lb.in)		M8: 6.50/57.55	
线径范围(硬线和软线)/Wire Range(rigid and flexible)(AWG)		6-2/0	
间距/Pitch(mm)		28.00/N=02-08P	
应用温度范围/Operating temperature(°C)		-40~+105	
符合RoHS环保要求/Conform to RoHS		Yes	

<b>DEGSON</b>		MATERIAL:	SURFACE/COLOR:		
APPD: 蓝美凡	2023.12.21	MAT NO./REV:	/ 00	MAT STATUS: 小批量	
CHKD: 曹利影	2023.12.21	NAME: DGR150-U-XXP-1Y-00Z(H)			
DRAFT: 孙科豪	2023.12.21	DRAWING NO.	TYPE	DRAWING STATUS	SCALE
REV		ECN	DESCRIPTION	DRAFT	DATE
00					
A3		200262395	CUSTOMER DRAWING	已发布	1:2
					1/1

Transfer or duplication of this document as well as the utilization of its contents without the written permission of DEGSON is prohibited. All rights reserved for patent. 本文件及其内容之复制或未经许可之使用均受法律保护。未经授权，不得复制或传播。如有侵权，本公司保留法律追究权利。