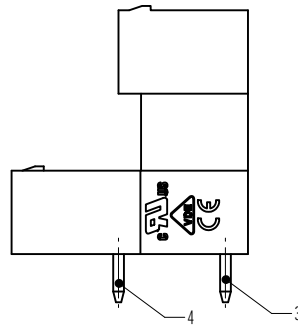
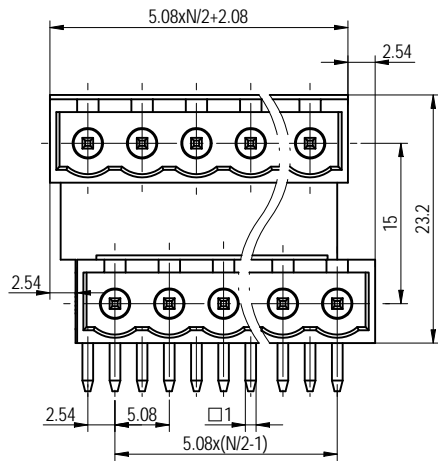
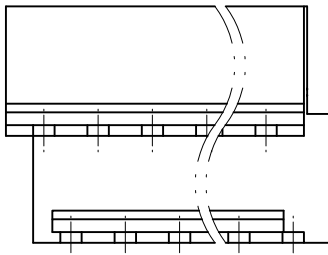
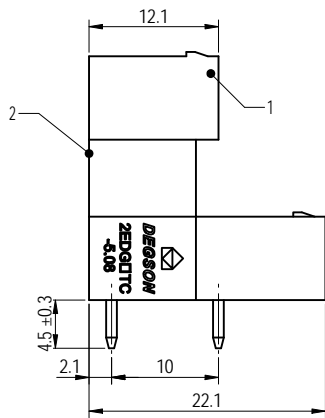
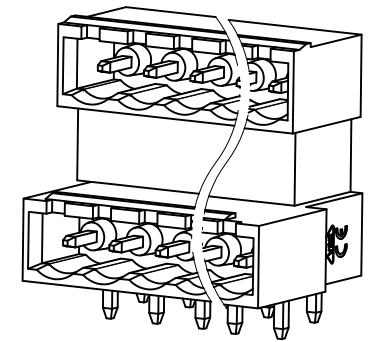
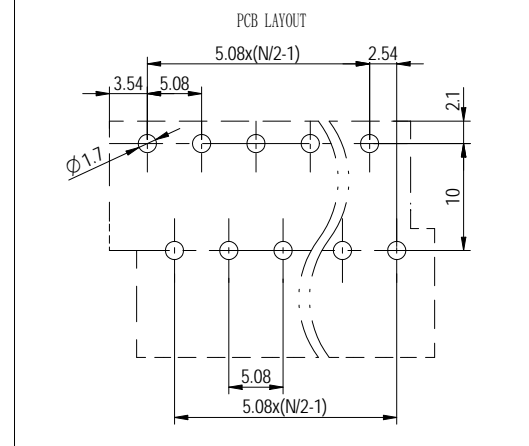


Transfer or duplication of this document as well as the utilization of its contents in any form without the written permission of the copyright holder is prohibited. All rights reserved for patent.



公差/General tolerances (mm)													D	
0	>3	>6	>10	>18	>30	>50	>80	>120	>180	>250	>315	>400	>500	0.1/10
~3	~6	~10	~18	~30	~50	~80	~120	~180	~250	~315	~400	~500	~2	N
±0.12	±0.18	±0.22	±0.26	±0.31	±0.37	±0.57	±0.80	±0.93	±1.05	±1.15	±1.60	±2.20	±2.50	±2



Note:  
The A&Z(H) in the name means:A(H) and Z(H).

ITEM	NAME OF PART	MATERIAL	NOTES
4	Short Pin	Copper	Sn Plated
3	Long Pin	Copper	Sn Plated
2	Cover	PA66	UL94V-0
1	Housing	PA66	UL94V-0

UL 标准/UL Standard:	B	C	D
额定电压/电压/Rated Voltage(V)/Current(A)	300/15	/	300/10
IEC 标准/IEC Standard:			
过压类别/Overvoltage Category/污染等级/Pollution Degree	III/3	III/2	II/2
额定电压/电压/Rated Voltage(V)/Current(A)	/	320/10	/
额定脉冲电压(KV)/Rate Impulse Voltage(KV)	/	4	/
间距/Pitch(mm)/线数范围/Poles		5.08/N=04~48P	
使用温度范围/Operating temperature(°C)		-40~+105	
符合RoHS环保要求/Conform to RoHS		Yes	

<b>DEGSON</b>		MATERIAL:	SURFACE/COLOR:		
APPD: 竺春华	2022.12.05	MAT NO./REV: -/00	MAT STATUS: 批量		
CHKD: 黄耀志	2022.12.05	NAME: 2EDGRTC-5.08-XXP-1Y-00A&Z(H)			
DRFT: 周锦德	2022.12.02	DRAWING NO.:	TYPE:	DRAWING STATUS:	SCALE:
		200021231	CUSTOMER DRAWING	已发布	1:1
REV:	ECN:	DESCRIPTION:	DRFT:	DATE:	SHEET:
00				2022.12.02	1/1

REV	ECN	DESCRIPTION	DRFT	DATE	
00			周锦德	2022.12.02	