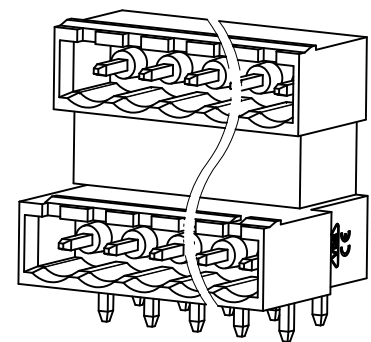
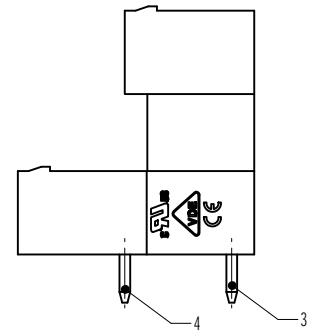
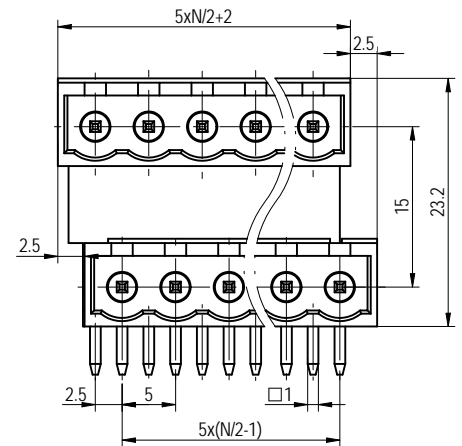
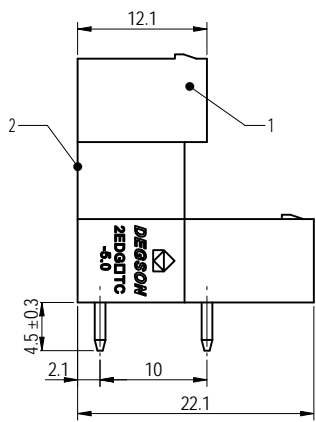
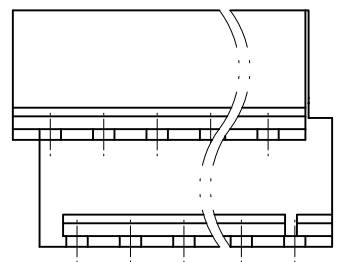
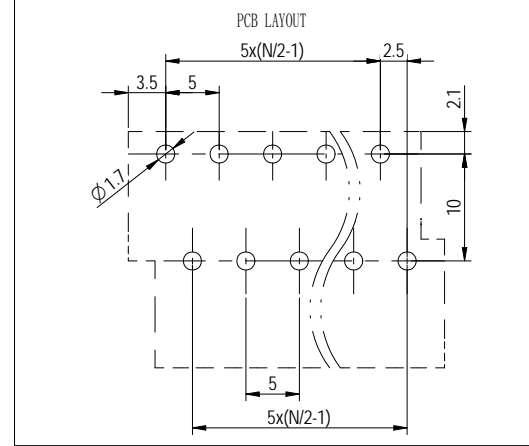


公差/General tolerances (mm)													D	
0	>3	>6	>10	>18	>30	>50	>80	>120	>180	>250	>315	>400	>500	0.1/10
±0.12	±0.18	±0.22	±0.26	±0.31	±0.37	±0.57	±0.80	±0.93	±1.05	±1.15	±1.60	±2.20	±2.50	±2



Note:
The A&Z(H) in the name means:A(H) and Z(H).

4	Short Pin	Copper	Sn Plated
3	Long Pin	Copper	Sn Plated
2	Cover	PA66	UL94V-0
1	Housing	PA66	UL94V-0
ITEM	NAME OF PART	MATERIAL	NOTES

UL 标准/UL Standard:	B	C	D
额定电压/电流/Rated Voltage(V)/Current(A)	300/15	/	300/10
IEC 标准/IEC Standard:			
过压类别/Overvoltage Category/污染等级/Pollution Degree	III/3	II/2	II/2
额定电压/电流/Rated Voltage(V)/Current(A)	/	320/10	/
额定脉冲电压(KV)/Rate Impulse Voltage(KV)	/	4	/
间距/Pitch (mm) / 线数范围/Poles	5.0/N=04~48P		
使用温度范围/Operating temperature(°C)	-40~+105		
符合RoHS环保要求/Conform to RoHS	Yes		

DIOSON	MATERIAL:	SURFACE/COLOR:			
	MAT NO./REV: - / 00	MAT STATUS: 批量			
APPD: 竺春华	2022.12.05	NAME:			
CHKD: 黄耀志	2022.12.05	2EDGRTC-5.0-XXP-1Y-00A&Z(H)			
DRFT: 周锡德	2022.12.02	DRAWING NO.	TYPE	DRAWING STATUS	SCALE
		200021228	CUSTOMER DRAWING	已发布	1:1
					SHEET
					1/1

00			周锡德	2022.12.02
REV	ECN	DESCRIPTION	DRFT	DATE

Transfer or duplication of this document as well as the utilization of its contents without the written permission of the manufacturer is prohibited. All rights reserved for patent.