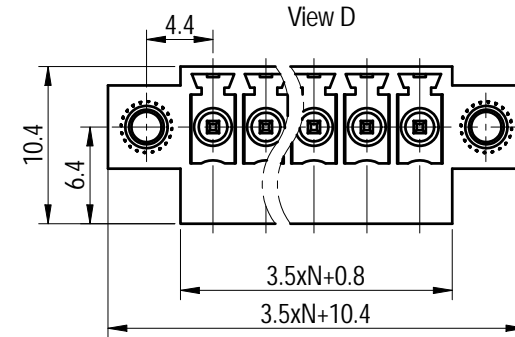
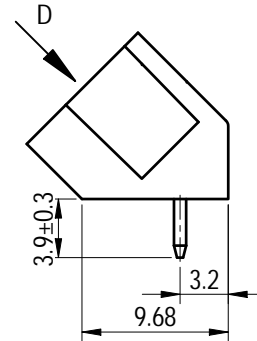
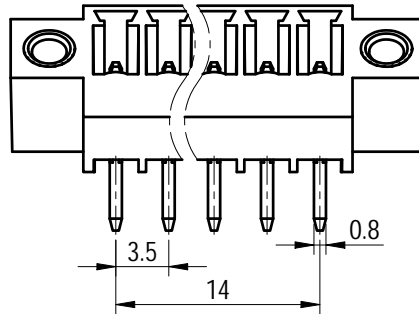
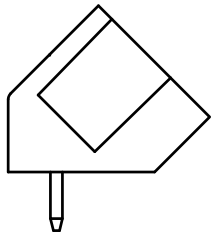
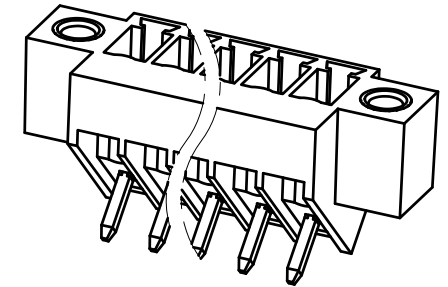
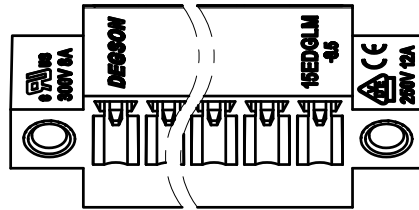


PCB LAYOUT

未注公差/General tolerances (mm)											0.1/10		
0	>3	>6	>10	>18	>30	>50	>80	>120	>180	>250		>315	>400
~	~	~	~	~	~	~	~	~	~	~	~	~	~
±0.12	±0.18	±0.22	±0.26	±0.31	±0.37	±0.57	±0.80	±0.93	±1.05	±1.15	±1.60	±2.20	±2.50

UL 标准/UL Standard:	B	C	D
额定电压/电流/Rated Voltage(V)/Current(A)	300/8	/	300/8
IEC 标准/IEC Standard:			
过压类别/Overvoltage Category/污染等级/Pollution Degree	III/3	III/2	II/2
额定电压/电流/Rated Voltage(V)/Current(A)	/	/	250/12
额定脉冲电压(KV)/Rate Impulse Voltage(KV)	/	/	2.5
间距/Pitch(mm)/线数范围/Poles	3.5/N=02~22P		
使用温度范围/Operating temperature(°C)	-40~+105		
符合RoHS环保要求/Conform to RoHS	Yes		



Note:
The A&Z(H) in the name means: A(H) and Z(H).

3	Nut	Copper Alloy	/
2	Pin	Copper Alloy	Sn Plated
1	Housing	PA66	UL94V-0
ITEM	NAME OF PART	MATERIAL	NOTES

		MATERIAL:	SURFACE/COLOR:	
APPD: 兰春华 2023.02.15		MAT NO./REV: - / 00	MAT STATUS: 批量	
CHKD: 龚耀志 2023.02.14		NAME		
DRFT: 代永康 2023.02.14		15EDGLM-3.5-XXP-1Y-00A&Z(H)		
DRAWING NO.	TYPE	DRAWING STATUS	SCALE	SHEET
200147212	CUSTOMER DRAWING	已发布	2:1	1/1

00			代永康	2023.02.14
REV	ECN	DESCRIPTION	DRFT	DATE

Transfer or duplication of this document as well as the utilization or communication of its content are prohibited unless authorized in writing by the copyright holder. All rights reserved for patent. 除专利注明情况外，其他部分均不注册。未经授权，禁止复制或传播。 除专利注明情况外，其他部分均不注册。 未经授权，禁止复制或传播。