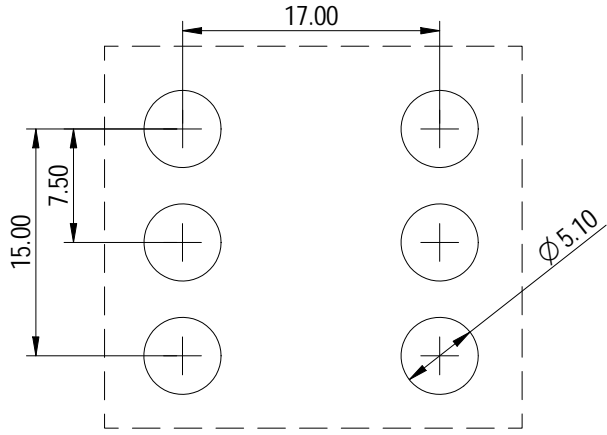
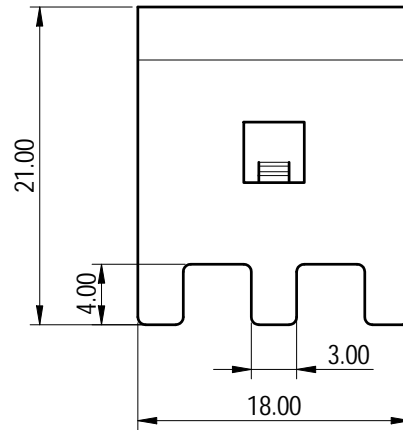
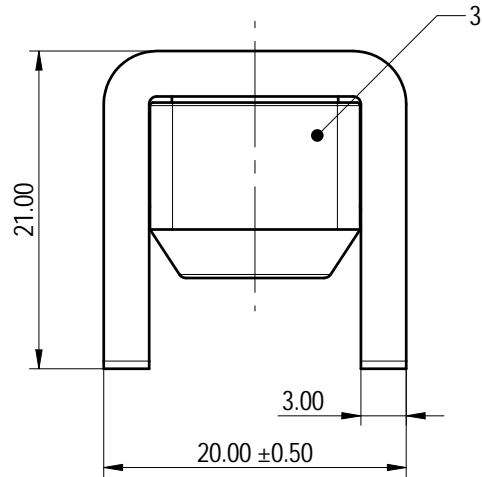
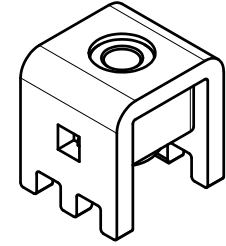
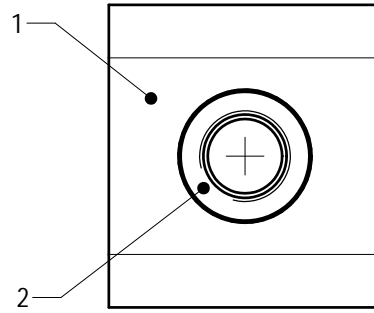


PCB LAYOUT



未注公差/General tolerances (mm)													0.1/10	
0	>3	>6	>10	>18	>30	>50	>80	>120	>180	>250	>315	>400		
~3	~6	~10	~18	~30	~50	~80	~120	~180	~250	~315	~400	~500	>500	
±0.12	±0.18	±0.22	±0.26	±0.31	±0.37	±0.57	±0.80	±0.93	±1.05	±1.15	±1.60	±2.20	±2.50	±2'



Note: The A&Z(H) in the name means: A(H) and Z(H).

ITEM	NAME OF PART	MATERIAL	NOTES
3	Housing	PA66+GF	UL94V-0
2	Nut	Steel	Zn Plated
1	Pin header	Copper alloy	Sn Plated

额定电流/Current (A)	300A
螺丝扭矩/Torque Tightening(N·m/Lb.in)	M6, 1.98/18.0
符合RoHS环保要求/Conform to RoHS	Yes

DEGSON		MATERIAL:	SURFACE/COLOR:			
APPD: 蓝贵凡	2022.12.14	MAT NO./REV: 10900000267 / 00	MAT STATUS: /			
CHKD: 曹利彬	2022.12.14	NAME				
DRFT: 孙科豪	2022.12.14	K41-12A&Z(H)				
REV	ECN	DRAWING NO.	TYPE	DRAWING STATUS	SCALE	SHEET
00		200117298	CUSTOMER DRAWING	已发布	2:1	1/1

REV	ECN	DESCRIPTION	DRFT	DATE
00				

Transfer or duplication of this document as well as the utilization or communication of its content are prohibited unless authorized in advance. All rights reserved for patent, utility model or design registrations. 除专利等明确标注外，其他内容均受法律保护。未经许可，不得复制或传播。本公司保留对涉及发明、实用新型及外观设计的所有权利。