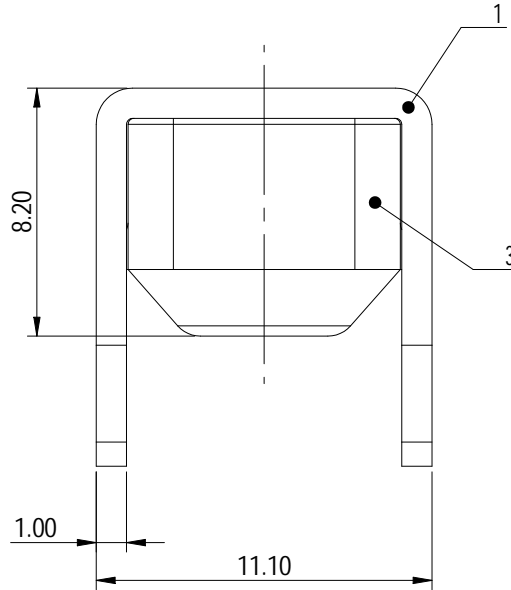
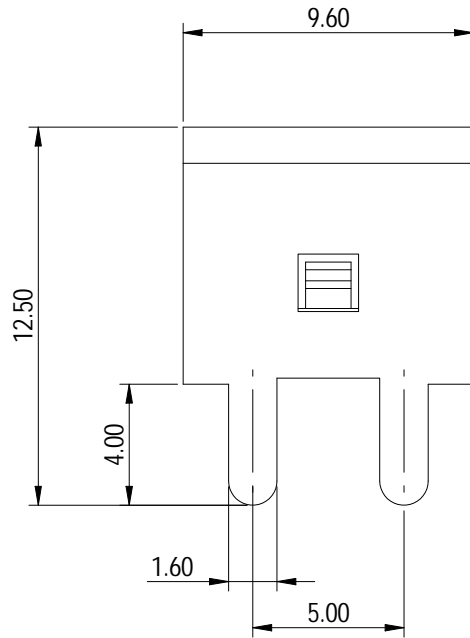
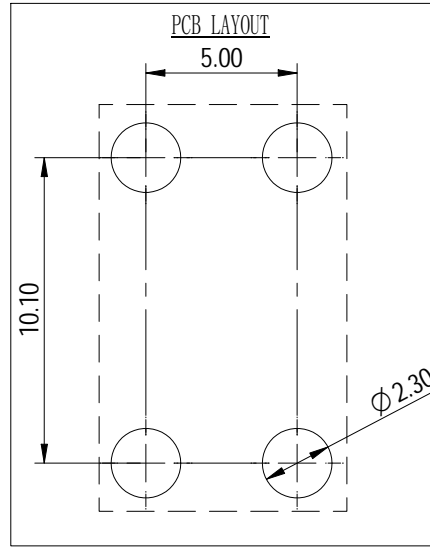
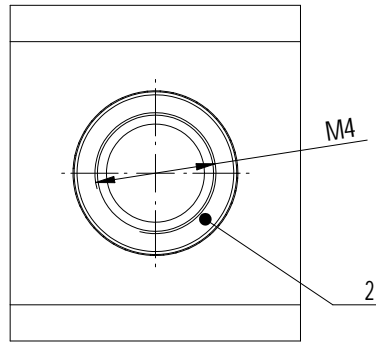


Transfer or duplication of this document as well as the utilization or communication of its content are prohibited unless authorized in writing by the copyright owner. All rights reserved for patent, utility model or design registrations. 除专利、实用新型、外观设计、软件著作权等依法注册的权利外，其他权利均归作者所有。未经许可，不得复制或传播本文件内容。

未注公差/General tolerances (mm)													0.1/10
0	>3	>6	>10	>18	>30	>50	>80	>120	>180	>250	>315	>400	
~3	~6	~10	~18	~30	~50	~80	~120	~180	~250	~315	~400	~500	±2'
±0.12	±0.18	±0.22	±0.26	±0.31	±0.37	±0.57	±0.80	±0.93	±1.05	±1.15	±1.60	±2.20	



Note: The A&Z(H) in the name means: A(H) and Z(H).

ITEM	NAME OF PART	MATERIAL	NOTES
3	Housing	PA66	UL94V-0
2	Nut	Steel	Zn Plated
1	Pin header	Copper alloy	Sn Plated
额定电流/Rated Current(A)		40A	
螺丝扭矩/Torque Tightening(N·m/Lb.in)		M4, 1.8/15.79	
符合RoHS环保要求/Conform to RoHS		Yes	

DEGSON		MATERIAL:	SURFACE/COLOR:		
APPD: 蓝贵凡 2023.05.04		MAT NO./REV: 10900000246-1 / 00		MAT STATUS: 批量	
CHKD: 曹利彬 2023.05.04		NAME			
DRFT: 姜民洁 2023.05.04		K31-13A&Z(H)			
REV	ECN	DESCRIPTION	DRFT	DATE	
00					
DRAWING NO. 200191789		TYPE CUSTOMER DRAWING		DRAWING STATUS 已发布	SCALE 2:1
A4		(inch)		SHEET 1/1	