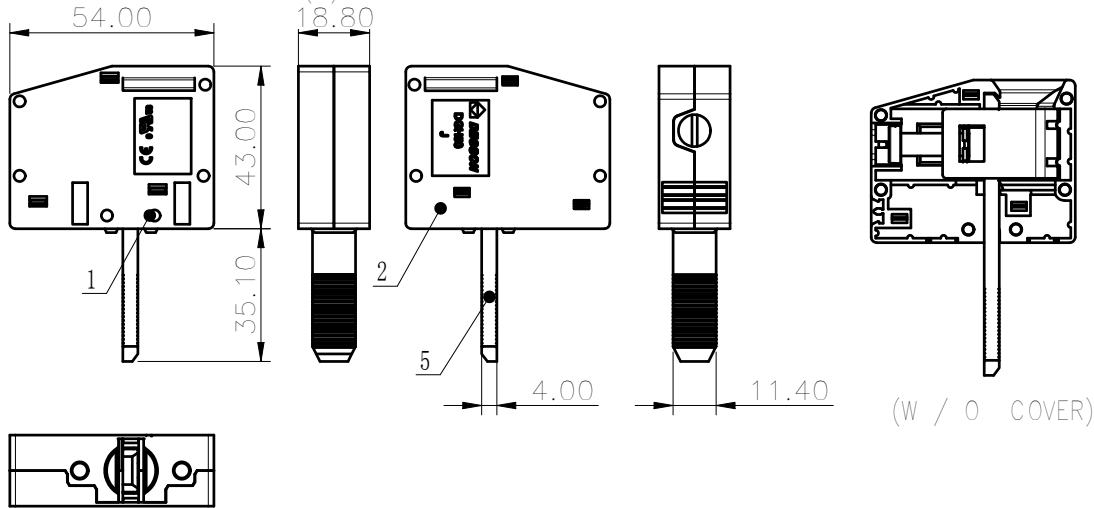
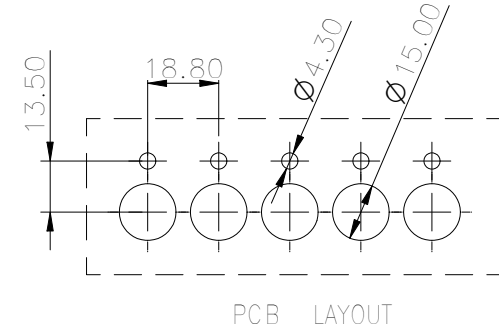
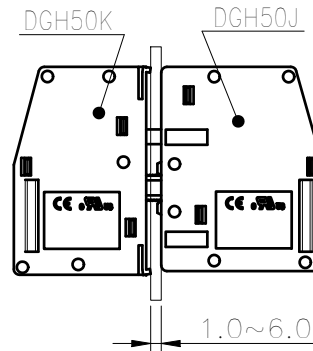


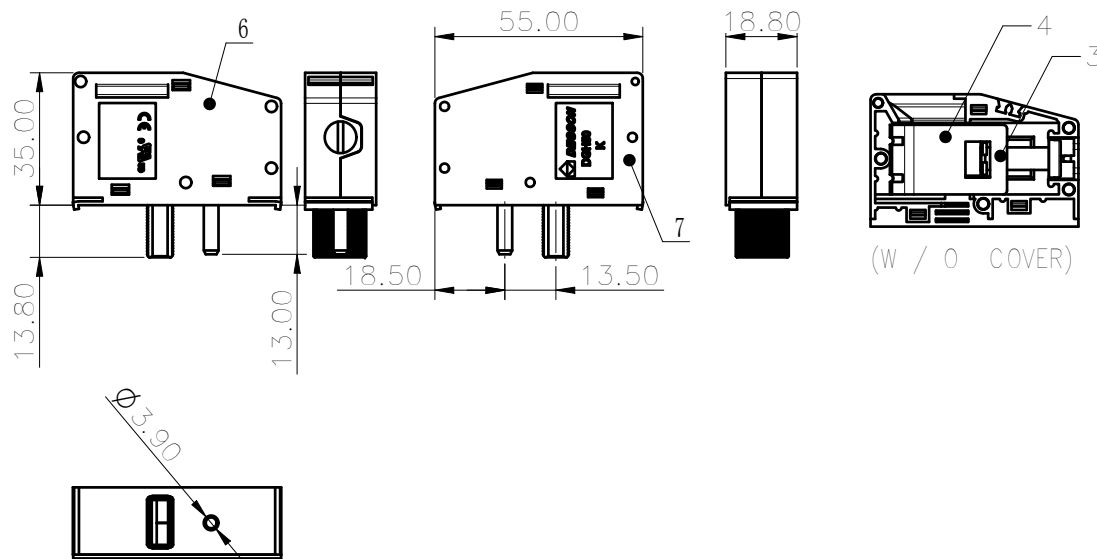
DGH50J-01P-1Y-00A&Z(H)



未注公差/General tolerances(mm)											D 0.1/10		
0	>3	>6	>10	>18	>30	>50	>80	>120	>180	>250			
~3	~6	~10	~18	~30	~50	~80	~120	~180	~250	~315	~400	~500	>500
±0.12	±0.18	±0.22	±0.26	±0.31	±0.37	±0.57	±0.80	±0.93	±1.05	±1.15	±1.60	±2.20	±2.50



DGH50K-01P-1Y-00A&Z(H)



Note: The A&Z(H) in the name means: A(H) and Z(H).

ITEM	NAME OF PART	MATERIAL	NOTES
7	Housing4	PA66	UL94V-0
6	Housing3	PA66	UL94V-0
5	Current carrier	Copper alloy	Sn Plated
4	Cage	SPCC	M6/Zn Plated
3	Screw	Steel	M6/Zn Plated
2	Housing2	PA66	UL94V-0
1	Housing1	PA66	UL94V-0

UL 标准/UL Standard:	B	C	D
额定电压/电流/Rated Voltage(V)/Current(A)	600/170	/	/
IEC 标准/IEC Standard:			
过压类别/Overvoltage Category/污染等级/Pollution Degree	III/3	III/2	II/2
额定电压/电流/Rated Voltage(V)/Current(A)	690/150	1000/150	1000/150
额定脉冲电压(KV)/Rate Impulse Voltage(KV)	8	8	8
螺丝扭矩/Torque Tightening(N·m/Lb.in)	M6, 6.0/53.16		
线径范围(硬线和软线)/Wire Range(rigid and flexible)(AWG/mm²)	2/0-6/ 16-50		
间距/Pitch(mm)/线数范围/Poles	18.80N=01P		
剥线长度/Stripping length(mm)	24~25		
使用温度范围/Operating temperature(°C)	-40~+105		
符合RoHS环保要求/Conform to RoHS	Yes		

		MATERIAL:	SURFACE:	
APPD: 蓝贵凡 2022.12.06		MAT NO./REV:	/ 00	
CHKD: 曹利彬 2022.12.06		NAME		
DRFT: 孙科豪 2022.12.06		DGH50-01P-1Y-00A&Z(H)		
DRAWING NO. 200016672		TYPE CUSTOMER DRAWING		DRAWING STATUS 已发布
SCALE 2:1		SHEET 1/1		

REV	ECN	DESCRIPTION	DRFT	DATE
00				