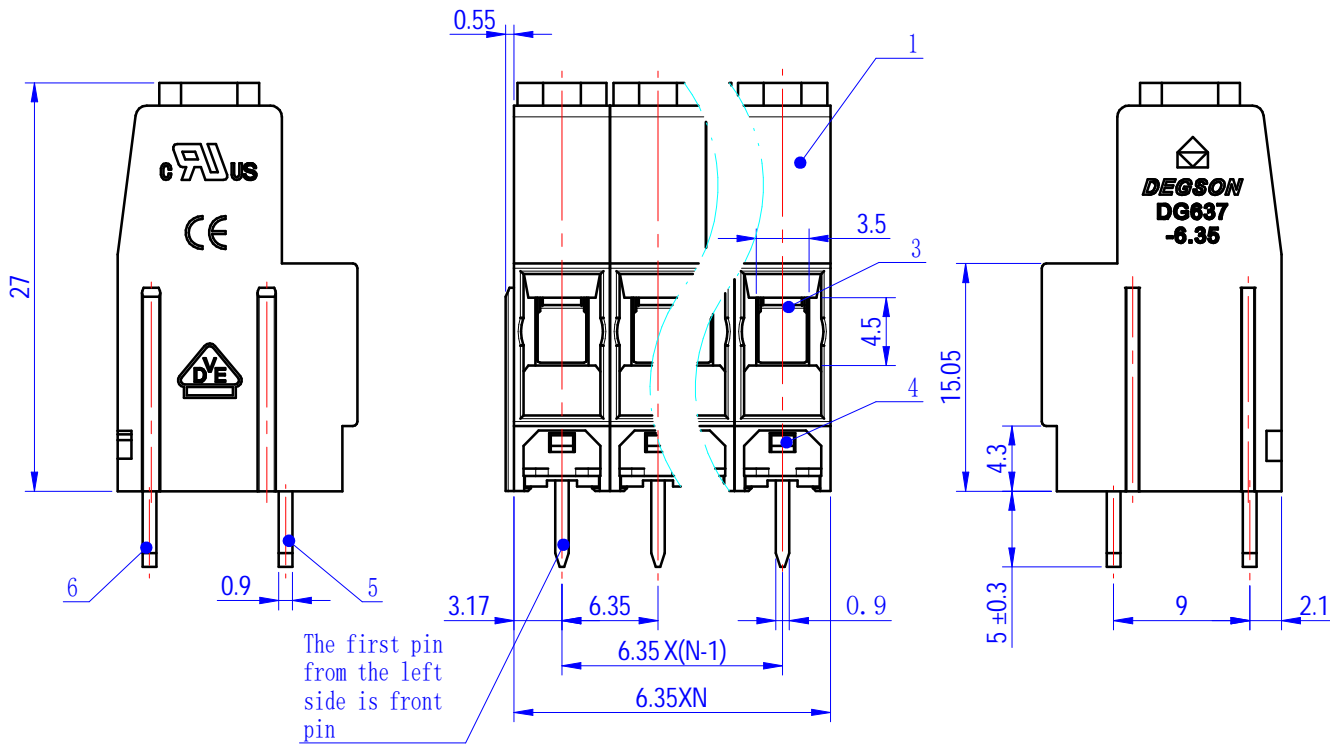
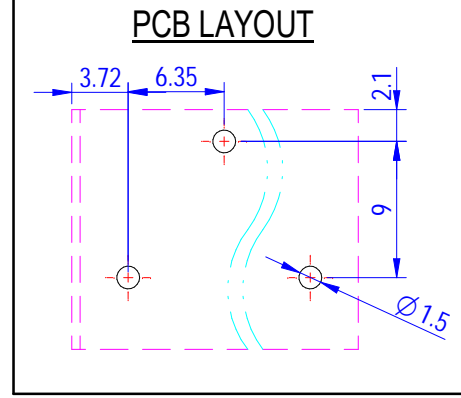
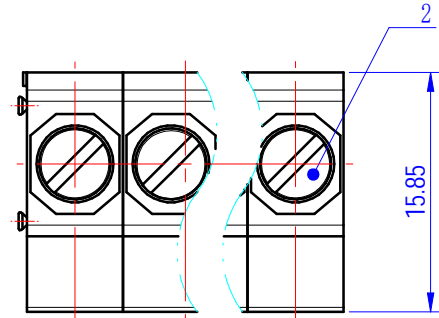


公差/General tolerances (mm)													D 0.1/10	
0	>3	>6	>10	>18	>30	>50	>80	>120	>180	>250	>315	>400		>500
~ 3	~ 6	~ 10	~ 18	~ 30	~ 50	~ 80	~ 120	~ 180	~ 250	~ 315	~ 400	~ 500	>500	
±0.12	±0.18	±0.22	±0.26	±0.31	±0.37	±0.57	±0.80	±0.93	±1.05	±1.15	±1.60	±2.20	±2.50	±2°



ITEM	NAME OF PART	MATERIAL	NOTES
6	After pin header	Copper	Sn Plated
5	Front pin head	Copper	Sn Plated
4	Cover	PA66	UL94V-0
3	Cage	Copper alloy	M3/Ni Plated
2	Screw	Steel	M3/Zn Plated
1	Housing	PA66	UL94V-0

UL 标准/UL Standard:	B	C	D
额定电压/电流/Rated Voltage(V)/Current(A)	600/30	600/30	/
IEC 标准/IEC Standard:			
过压类别/Ovoltage Category/污染等级/Pollution Degree	III/3	III/2	II/2
额定电压/电流/Rated Voltage(V)/Current(A)	500/32	630/32	1000/32
额定脉冲电压(KV)/Rate Impulse Voltage(KV)	8	8	8
螺丝扭矩/Torque Tightening(N·m/Lb.in)	M3, 0.5/5.0		
线径范围(硬线和软线)/Wire Range(rigid and flexible)(AWG mm²)	28~ 10/ 0.2~ 4.0		
间距/Pitch(mm)/线数范围/Poles	6.35/N# 02~ 16P		
剥线长度/Stripping length(mm)	7~ 8		
使用温度范围/Operating temperature(°C)	-40~ + 105		
符合RoHS环保要求/Conform to RoHS	Yes		

DEGSON

MATERIAL: SURFACE/COLOR: / MAT STATUS: 批量

APPD: 兰春华 2024.03.06 NAME: DG637-6.35-XXP-1Y-00A&Z(H)

CHKD: 陈招 2024.03.06

DRFT: 龚徐涛 2024.03.06 DRAWING NO. 200071460 TYPE CUSTOMER DRAWING DRAWING STATUS 已发布 SCALE 2:1 SHEET 1/1

REV	ECN	DESCRIPTION	DRFT	DATE
01		更正IEC参数	龚徐涛	2024.03.06

Transfer or duplication of this document as well as the utilization or communication of its contents are prohibited unless authorized in general. All rights reserved for patent, utility model or design registrations. 除专利、实用新型、外观设计、发明专利、软件著作权、集成电路布图设计专有权、商业秘密和保密技术等权利外，本公司保留对涉及发明、实用新型或外观设计的所有权利。