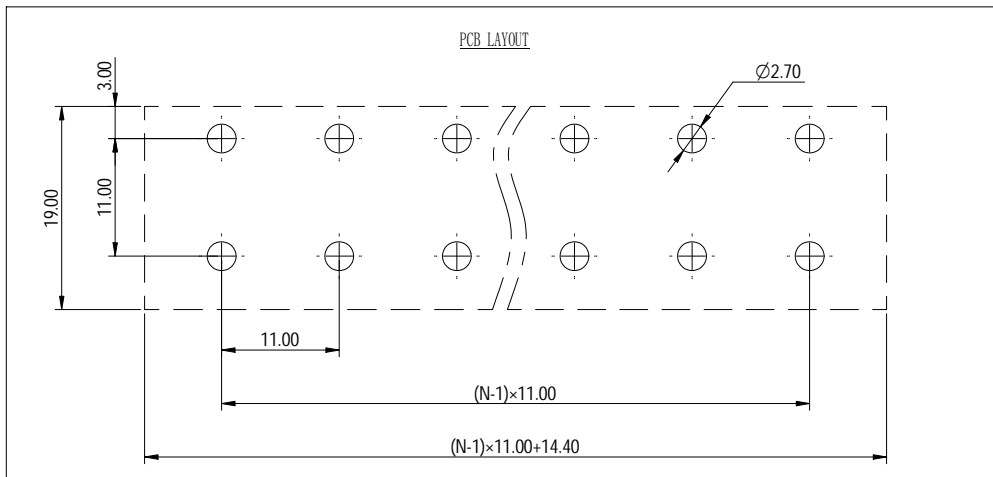
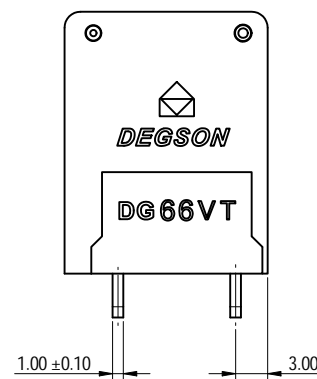
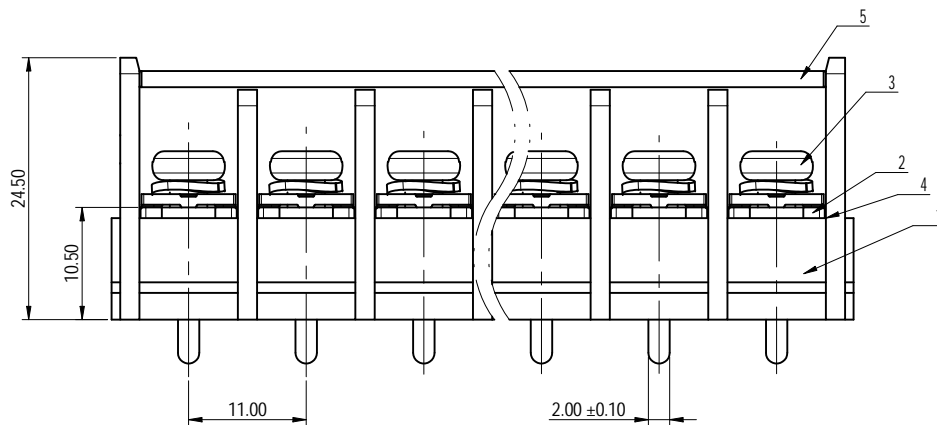
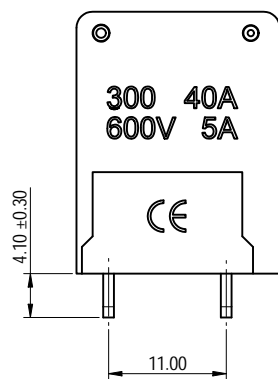
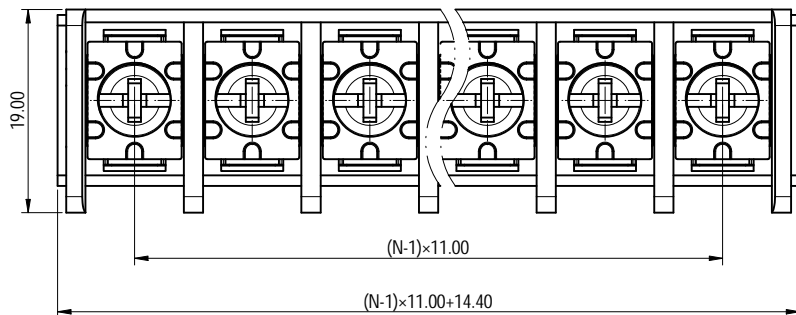


公差/General tolerances (mm)											D 0.1/10		
0	>3	>6	>10	>18	>30	>50	>80	>120	>180	>250		>315	>400
~ 3	~ 6	~ 10	~ 18	~ 30	~ 50	~ 80	~ 120	~ 180	~ 250	~ 315	~ 400	~ 500	~ 2
±0.12	±0.18	±0.22	±0.26	±0.31	±0.37	±0.57	±0.80	±0.93	±1.05	±1.15	±1.60	±2.20	±2.50

(W/O COVER VIEW)



Note: The A&Z(H) in the name means: A(H) and Z(H).

ITEM	NAME OF PART	MATERIAL	NOTES
5	Cover	PC	UL94V-2
4	Nut	Steel	Zn Plated
3	Screw	Steel	Ni Plated
2	Pin header	Copper alloy	Sn Plated
1	Housing	PA66	UL94V-0

UL 标准/UL Standard:	B	C	D
额定电压/电流/Rated Voltage(V)/Current(A)	300/40	300/40	600/5
螺丝扭矩/Torque Tightening(N·m/Lb.in)	M4: 1.65/15		
线径范围(硬线和软线)/Wire Range(rigid and flexible)(AWG)	18-8		
间距/Pitch(mm)/线数范围/Poles	11.00/N=02-12P		
使用温度范围/Operating temperature(°C)	-40~+105		
符合RoHS环保要求/Conform to RoHS	Yes		

**DEGSON** MATERIAL: SURFACE/COLOR: MAT NO./REV: - / 00 MAT STATUS: 批量

APPD: 蓝美凡 2023.03.01 NAME: DG66VT-XXP-1Y-50A&Z(H)

CHKD: 曹利彰 2023.03.01

DRAFT: 姜民洁 2023.03.01

DRAWING NO.	TYPE	DRAWING STATUS	SCALE	SHEET
200154347	CUSTOMER DRAWING	已发布	1:1	1/1

REV	ECN	DESCRIPTION	DRAFT	DATE
00				

Transfer or duplication of this document as well as the utilization of its contents without the written consent of the copyright owner is prohibited. All rights reserved for patent.