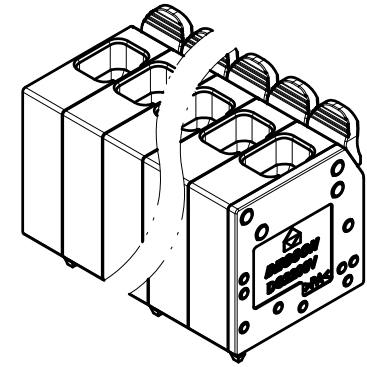
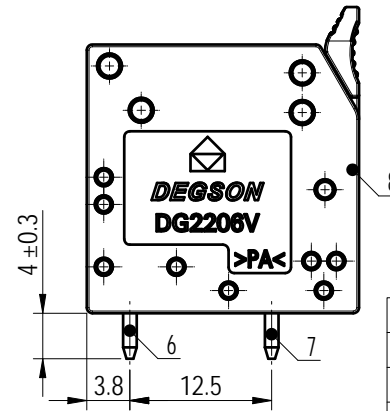
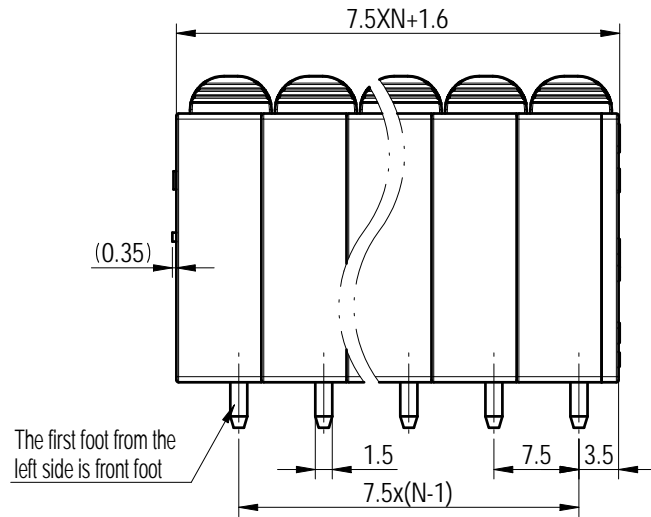
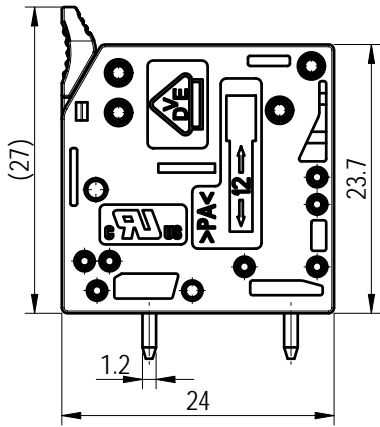
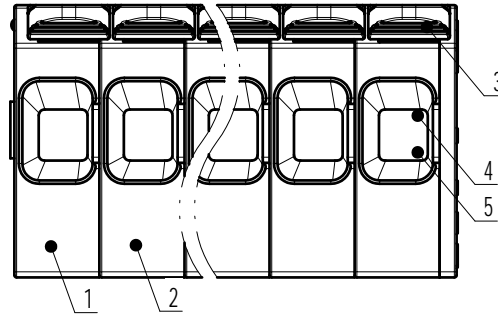
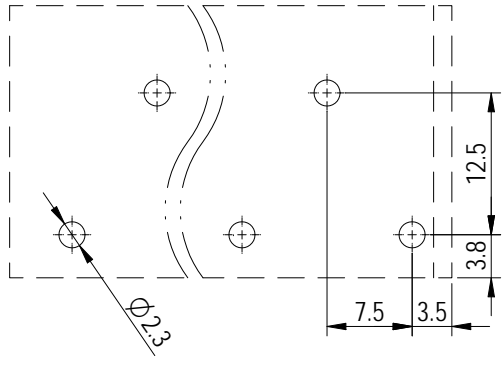


PCB LAYOUT



未注公差/General tolerances (mm)													
0	>3	>6	>10	>18	>30	>50	>80	>120	>180	>250	>315	>400	0.1/10 ±2'
~3	~6	~10	~18	~30	~50	~80	~120	~180	~250	~315	~400	>500	
±0.12	±0.18	±0.22	±0.26	±0.31	±0.37	±0.57	±0.80	±0.93	±1.05	±1.15	±1.60	±2.20	±2.50
UL 标准/UL Standard:										B	C	D	
额定电压/电流/Rated Voltage(V)/Current(A)										600/41	600/41	/	
IEC 标准/IEC Standard:													
过压类别/Overvoltage Category/污染等级/Pollution Degree										III/3	III/2	II/2	
额定电压/电流/Rated Voltage(V)/Current(A)										800/41	1000/41	1000/41	
额定脉冲电压(KV)/Rate Impulse Voltage(KV)										8	8	8	
线径范围(硬线和软线)/Wire Range (rigid and flexible) (AWG/mm ²)										24~8 / 0.2~6,10(sol)			
间距/Pitch(mm)/线数范围/Poles										7.5/N=02~12P			
剥线长度/Stripping length(mm)										11~13			
使用温度范围/Operating temperature(°C)										-40~+105			
符合RoHS环保要求/Conform to RoHS										Yes			

ITEM	NAME OF PART	MATERIAL	NOTES
8	Cover	PA66	UL94V-0
7	Back Pin header	Copper	Sn Plated
6	Front Pin header	Copper	Sn Plated
5	Spring	Stainless steel	/
4	Slider	Stainless steel	/
3	Lever	PA66-GF	UL94V-0
2	Back Housing	PA66	UL94V-0
1	Front Housing	PA66	UL94V-0

		MATERIAL:		SURFACE/COLOR:	
		MAT NO./REV: / 00		MAT STATUS: 批量	
APPD: 朱伟明	2022.12.27	NAME			
CHKD: 张玉华	2022.12.23	DG2206V-7.5-DA-XXP-1Y-00Z (H)			
DRFT: 阮帅帅	2022.12.22	DRAWING NO.	TYPE	DRAWING STATUS	SCALE
		200103069	CUSTOMER DRAWING	已发布	1.5:1
					SHEET 1/1

REV	ECN	DESCRIPTION	DRFT	DATE
01			阮帅帅	2022.12.22

Transfer or duplication of this document as well as the utilization or communication of its contents are prohibited unless authorized in advance. Violations will be punished. We have the right to reserve all rights reserved for patent. 除专利等明确标注外，其他标注均非本公司所有。未经许可，不得复制或传播。本公司保留对涉及专利、实用新型及外观设计等权利的所有权。