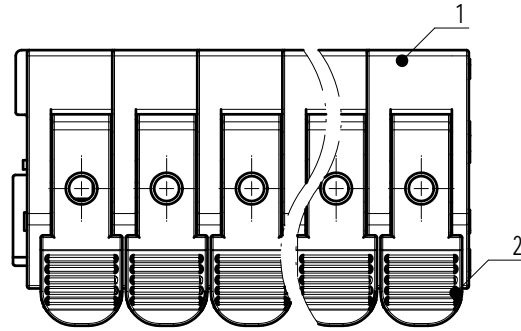
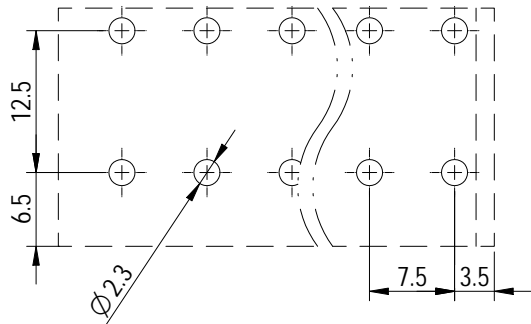
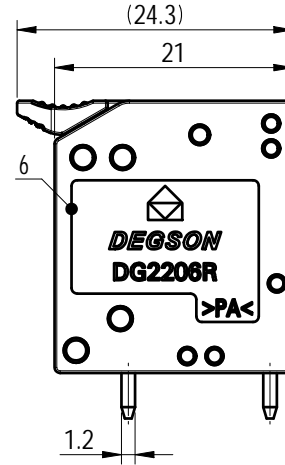
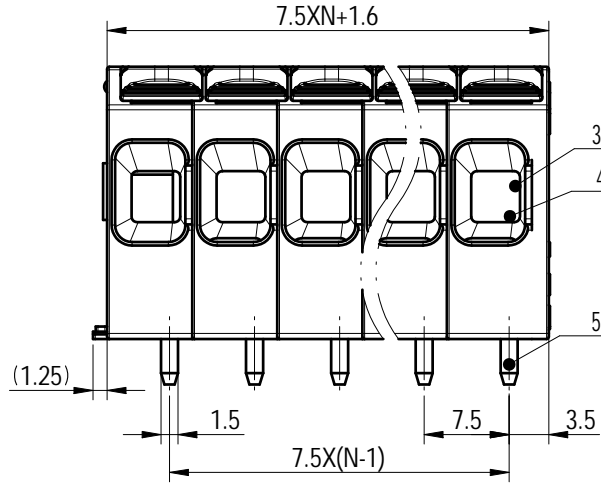
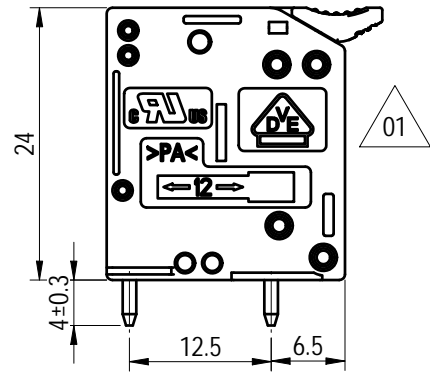


PCB LAYOUT

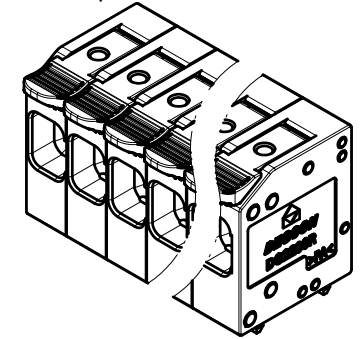


未注公差/General tolerances (mm)													
0	>3	>6	>10	>18	>30	>50	>80	>120	>180	>250	>315	>400	0.1/10 ±2'
~3	~6	~10	~18	~30	~50	~80	~120	~180	~250	~315	~400	~500	
±0.12	±0.18	±0.22	±0.26	±0.31	±0.37	±0.57	±0.80	±0.93	±1.05	±1.15	±1.60	±2.20	±2.50

N=01P			
UL 标准/UL Standard:	B	C	D
额定电压/电流/Rated Voltage(V)/Current(A)	600V/41	600V/41	/
IEC 标准/IEC Standard:			
过压类别/Overvoltage Category/污染等级/Pollution Degree	III/3	III/2	II/2
额定电压/电流/Rated Voltage(V)/Current(A)	800/41	1000/41	1000/41
额定脉冲电压(KV)/Rate Impulse Voltage(KV)	8	8	8
N=02-12P			
UL 标准/UL Standard:	B	C	D
额定电压/电流/Rated Voltage(V)/Current(A)	300V/41	150V/41	300/10
IEC 标准/IEC Standard:			
过压类别/Overvoltage Category/污染等级/Pollution Degree	III/3	III/2	II/2
额定电压/电流/Rated Voltage(V)/Current(A)	500/41	690/41	1000/41
额定脉冲电压(KV)/Rate Impulse Voltage(KV)	6	6	6
线径范围(硬线和软线)/Wire Range(rigid and flexible)(AWG/mm²)	24~8 / 0.2~6.10(sol)		
剥线长度/Stripping length(mm)	11~13		
使用温度范围/Operating temperature(°C)	-40~+105		
符合RoHS环保要求/Conform to RoHS	Yes		



If the dimensions are not marked, please refer to the 3D file



ITEM	NAME OF PART	MATERIAL	NOTES
6	Cover	PA66	UL94V-0
5	Pin header	Copper	Sn Plated
4	Spring	Stainless steel	/
3	Block	Stainless steel	/
2	Lever	PA66-GF	UL94V-0
1	Housing	PA66	UL94V-0

DEGSON		MATERIAL:	SURFACE/COLOR:
APPD: 朱伟明	2022.12.27	MAT NO./REV: /	MAT STATUS: 批量
CHKD: 张玉华	2022.12.23	NAME	
DRFT: 阮帅帅	2022.12.22	DG2206R-7.5-XXP-1Y-00Z (H)	
④	A4	DRAWING NO. 200099884	TYPE CUSTOMER DRAWING
		DRAWING STATUS 已发布	SCALE 1.5:1
		SHEET 1/1	

REV	ECN	DESCRIPTION	DRFT	DATE
01		1x由00升为01增加VDE刻字	阮帅帅	2022.12.22

Transfer or duplication of this document as well as the utilization or communication of its contents are prohibited unless expressly authorized in writing by the copyright holder. 任何复制或传播本文件内容，以及利用其内容或进行任何形式的传播，均须经权利人书面许可。 版权所有，侵权必究。