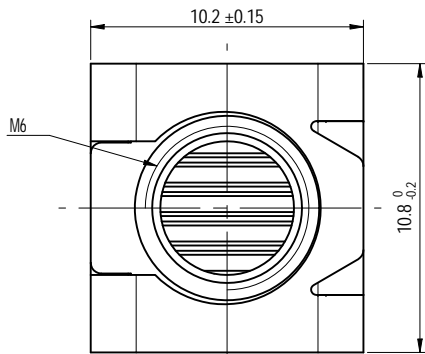
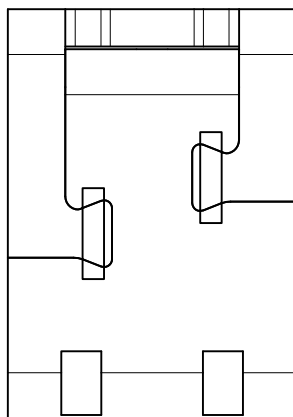
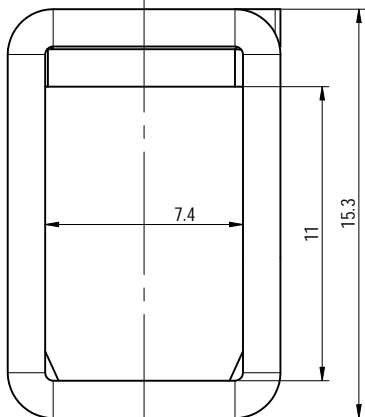
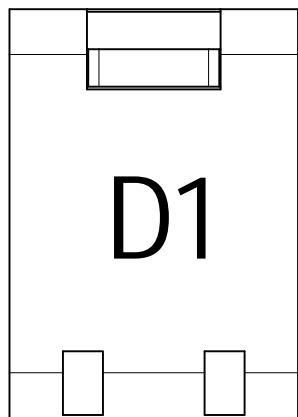


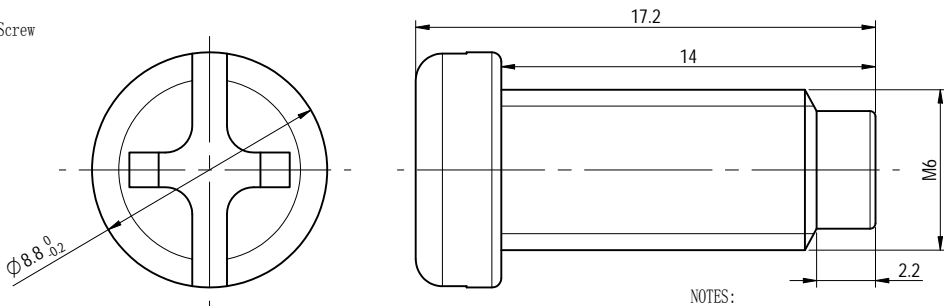
1. Cage



- NOTES:  
 1. Material: Steel  
 2. Torque value: 6N · m  
 3. Finish: Surface plated Zn, Solt spray test: 48hours Min  
 4. RoHS Compliance



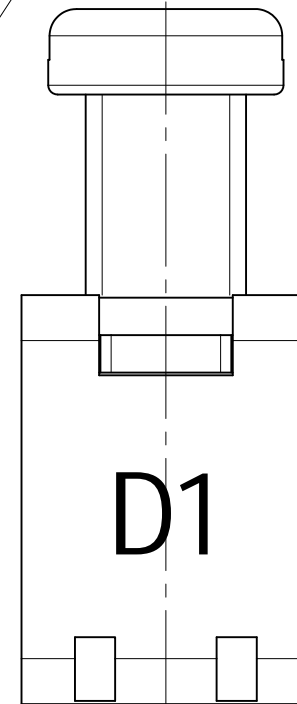
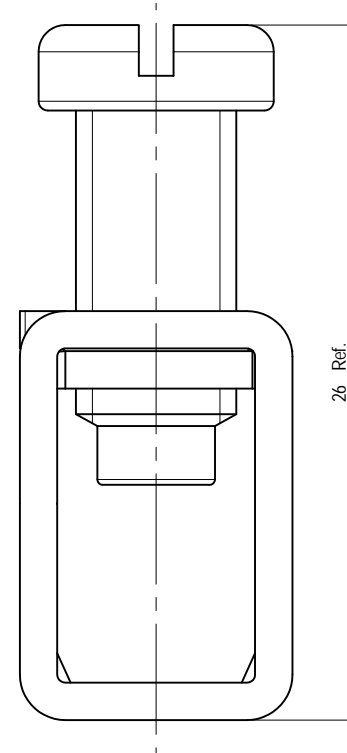
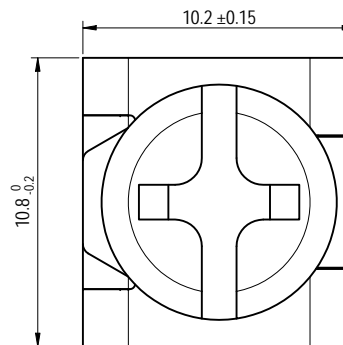
2. Screw



- NOTES:  
 1. Material: Steel  
 2. Finish: Surface plated Zn, Solt spray test: 48hours Min  
 3. Screw Performance Level 6.8; Torque Standard: 5.0 N.m; Max 5.5~6.0N.m  
 4. RoHS Compliance

公差/General tolerances (mm)											D		
0	>3	>6	>10	>18	>30	>50	>80	>120	>180	>250		>315	>400
±0.12	±0.18	±0.22	±0.26	±0.31	±0.37	±0.57	±0.80	±0.93	±1.05	±1.15	±1.60	±2.20	±2.50

IEC 标准/IEC Standard:		M6_3.0
扭力值/Torque value (N.m)		Yes
符合RoHS环保要求/Conform to RoHS		Yes



Screw preassemble status only for reference

Notes: The A&Z(H) in the name means: A(H) and Z(H)

2	Screw	Steel	Zn plated
1	Cage	Steel	Zn plated
ITEM	NAME OF PART	MATERIAL	NOTES

DEGSON		MATERIAL:	SURFACE/COLOR:	
APPD: 蓝美凡	2023.04.26	MAT NO./REV: 10900000119-1 / 00	MAT STATUS: 批量	
CHKD: 曹利彬	2023.04.26	NAME: K88-00A&Z(H)		
DRFT: 曹利彬	2023.04.26	DRAWING NO. 200189220	TYPE CUSTOMER DRAWING	DRAWING STATUS 已发布
REV	ECN	DESCRIPTION	DRFT	DATE
00		/	曹利彬	2023.04.26
		A3		1/1

REV	ECN	DESCRIPTION	DRFT	DATE	SCALE	SHEET
00		/	曹利彬	2023.04.26	5:1	1/1

Transfer or duplication of this document as well as the utilization of its contents without the written permission of DEGSON is prohibited. All rights reserved for patent.