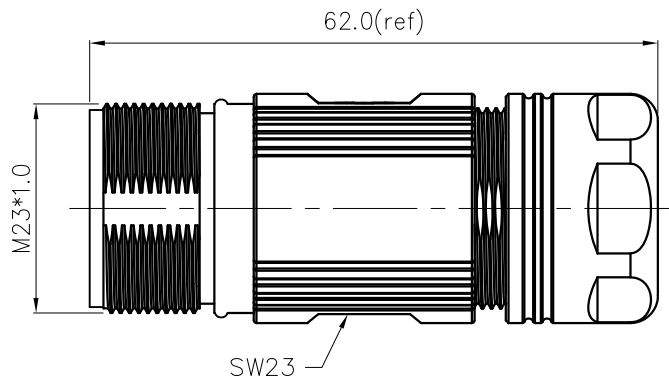
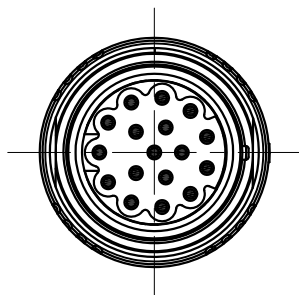


Transfer or duplication of this document as well as the utilization or communication of its contents are prohibited unless explicit authorization is granted. Violations will be liable for compensation. All rights reserved for patent, utility, model or designs registrations. 除非给予明确授权，否则禁止转让、复制、利用、交易本文件的内容。未经许可擅自复制或发明、实用新型专利和发明专利的所有权利。

Dimensional tolerance(mm)					0.10/10 ±2°
0 ~ 30	>30 ~ 60	>60 ~ 100	>100 ~ 150	>150	
±0.25	±0.35	±0.55	±0.80	±1.10	

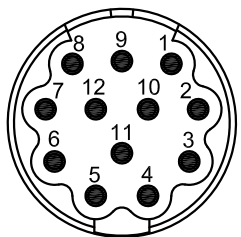
额定电压电流/Rated Voltage/Current	12P:160V/8A;17P:125V/8A
耐电压/Withstanding voltage	AC2000V/1Min
使用温度范围/Operating temperature(°C)	-40~+125
防水等级/Levels of protection	IP67
接线方式/Wire connection mode	Crimping
线径范围/Wire range	18~24AWG
剥线长度/Stripping length(mm)	4~5
符合RoHS环保要求/Conform to RoHS	Yes



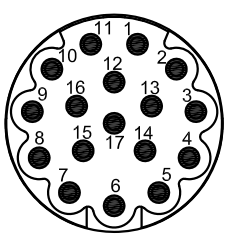
PCSH-M23R-XXP-MM-SL700X-00A(H)

Pin number: 12,17

Cable OD:
001: 8.5~12mm
002: 5~8.5mm
003: 12~14mm



Pin Assignments Front View



Pin Assignments Front View

REV	ECN	DESCRIPTION	DRFT	DATE

MATERIAL:		SURFACE:	
MAT NO.:	宁波高松电子有限公司 NINGBO DEGSON ELECTRICAL CO., LTD		
STATUS: /	NAME: PCSH-M23R-XXP-MM-SL700X-00A(H)		
APPD:	DRAWING NO.: /		
CHKD:	REV 00		
DRFT: Zhao T 2022.08.01	TYPE: CUSTOMER DRAWING		SCALE: 1:1 SHEET 1/1