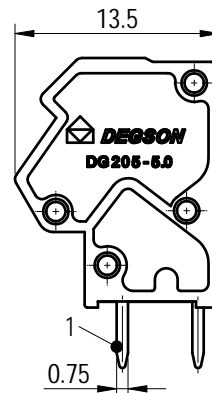
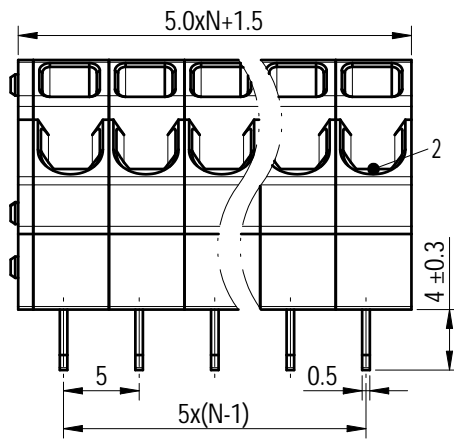
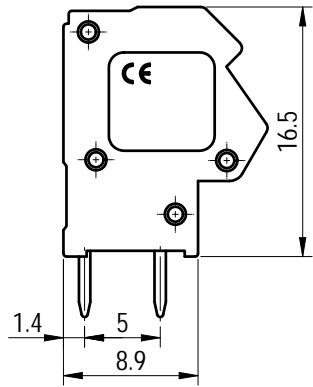
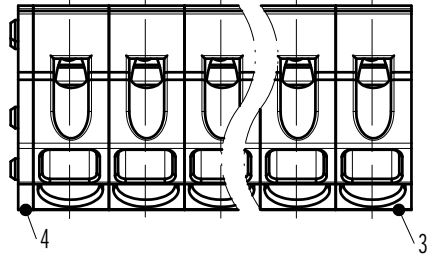
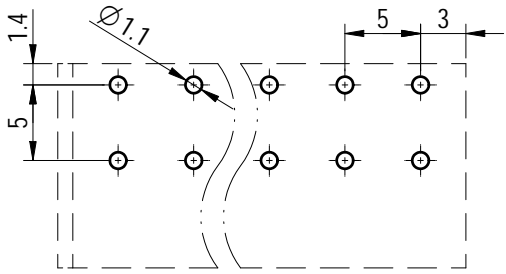
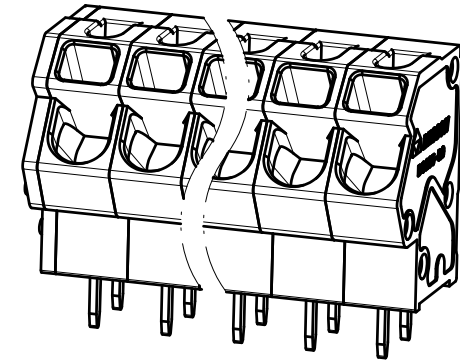


PCB LAYOUT



未注公差/General tolerances (mm)												0.1/10	
0	>3	>6	>10	>18	>30	>50	>80	>120	>180	>250	>315		>400
~3	~6	~10	~18	~30	~50	~80	~120	~180	~250	~315	~400	~500	
±0.12	±0.18	±0.22	±0.26	±0.31	±0.37	±0.57	±0.80	±0.93	±1.05	±1.15	±1.60	±2.20	±2.50



Note: The A&Z(H) in the name means: A(H) and Z(H).

4	Cover	PA66	UL94V-0
3	Housing	PA66	UL94V-0
2	Spring	Stainless steel	/
1	Pin header	Copper	Sn plated
ITEM	NAME OF PART	MATERIAL	NOTES

UL 标准/UL Standard:	B	C	D
额定电压/电流/Rated Voltage(V)/Current(A)	300/12	/	/
IEC 标准/IEC Standard:			
过压类别/Overvoltage Category/污染等级/Pollution Degree	III/3	III/2	II/2
额定电压/电流/Rated Voltage(V)/Current(A)	320/24	320/24	630/24
额定脉冲电压(KV)/Rate Impulse Voltage(KV)	4	4	4
线径范围(硬线和软线)/Wire Range(rigid and flexible)(AWG/mm²)	20~12(sol) / 1.0~1.5,2.5(sol)		
间距/Pitch(mm)/线数范围/Polos	5.0/N=02~24P		
剥线长度/Stripping length(mm)	10~12		
使用温度范围/Operating temperature(°C)	-40~+105		
符合RoHS环保要求/Conform to RoHS	Yes		
接线工具:螺丝刀须符合国标GB/10637 III型0.5X3.5mm或者符合DIN 5264标准 Type A/B 0.5X3mm Wiring Tools:screwdriver must conform with GB/10637 III type 0.5X3.5mm or according to DIN 5264 standard Type A/B 0.5X3mm			



MATERIAL: -	SURFACE/COLOR:
MAT NO./REV: - / 00	MAT STATUS: 批量

APPD: 兰春华	2022.10.08	NAME	DG205-5.0-XXP-1Y-00A&Z(H)		
CHKD: 陈招	2022.09.30	DRAWING NO.	200022163	TYPE	CUSTOMER DRAWING
DRFT: 袁路易	2022.09.30	DRAWING STATUS	已发布		

00			袁路易	2022.09.30						
REV	ECN	DESCRIPTION	DRFT	DATE	比例	比例	比例	比例	比例	比例
					A4	(inch)				

Transfer or duplication of this document as well as the utilization or communication of its content are prohibited unless express authorization is granted. Violations will be held liable for compensation. All rights reserved for patent, utility model or design registrations. 除专利权明确授权外, 否则禁止转让、复制、印刷、光磁等任何形式的传播。未经明确授权, 严禁复制或传播任何内容。所有权利保留。