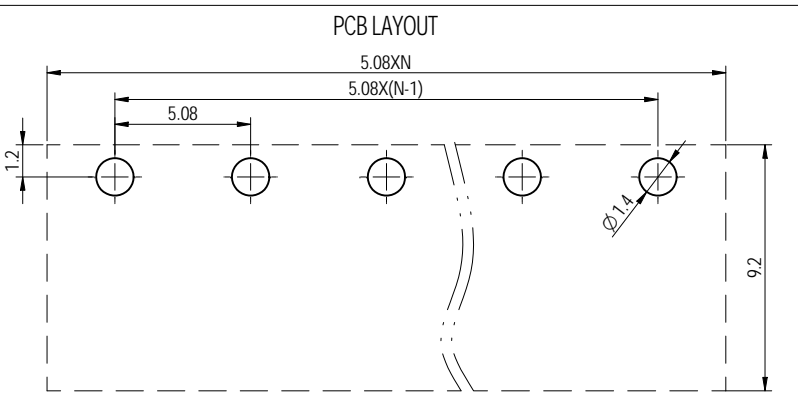
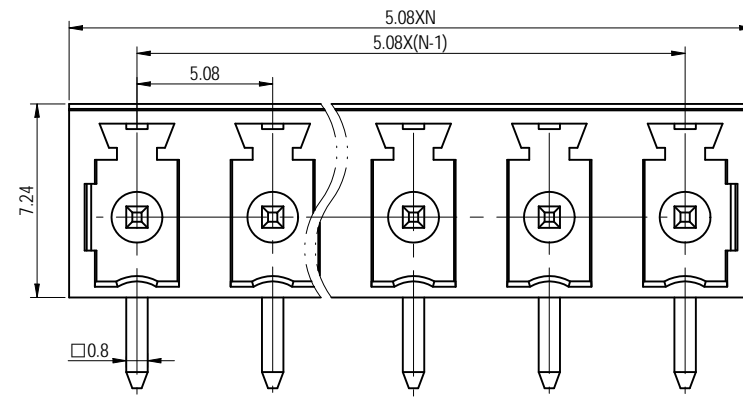
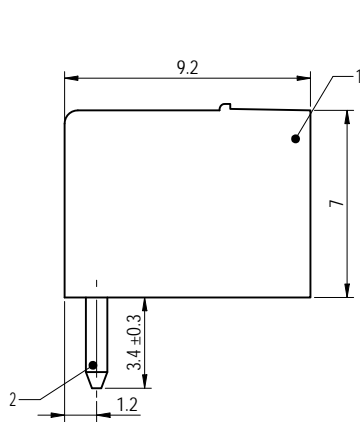
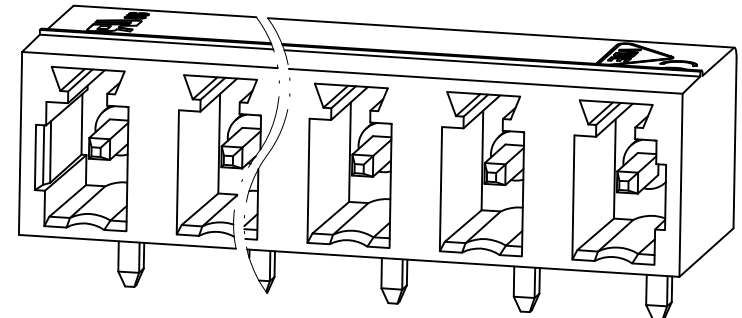
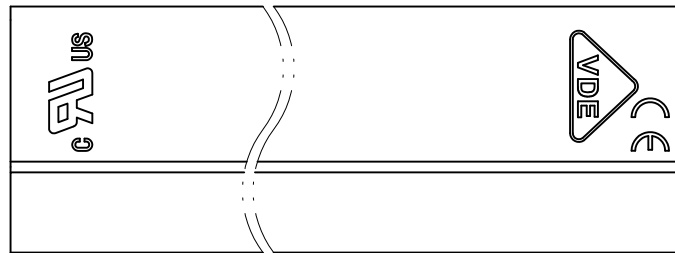


未注公差/General tolerances (mm)											D		
0	>3	>6	>10	>18	>30	>50	>80	>120	>180	>250		>315	>400
~ 3	~ 6	~ 10	~ 18	~ 30	~ 50	~ 80	~ 120	~ 180	~ 250	~ 315	~ 400	~ 500	~ >500
±0.12	±0.18	±0.22	±0.26	±0.31	±0.37	±0.57	±0.80	±0.93	±1.05	±1.15	±1.60	±2.20	±2.50



Note:
The A&Z(H) in the name means: A(H) and Z(H).

2	Pin	Copper alloy	Sn Plated
1	Housing	PA66	UL94V-0
ITEM	NAME OF PART	MATERIAL	NOTES

UL 标准/UL Standard:		B	C	D
额定电压/电流/Rated Voltage(V)/Current(A)		300/8	/	300/8
IEC 标准/IEC Standard:				
过压类别/Overvoltage Category/污染等级/Pollution Degree		III/3	III/2	II/2
额定电压/电流/Rated Voltage(V)/Current(A)		/	/	450/7
额定脉冲电压(KV)/Rate Impulse Voltage(KV)		/	/	4
间距/Pitch(mm)/线数范围/Poles		5.08/N=02~12P		
使用温度范围/Operating temperature(°C)		-40~+105		
符合RoHS环保要求/Conform to RoHS		Yes		
标准颜色编号/Standard color number: PANTONE / RAL		/		

DIIGSON		MATERIAL:	SURFACE/COLOR:	
APPD: 兰春华	2022.10.14	MAT NO./REV: -	/ 00	MAT STATUS: 批量

CHKD: 黄耀志	2022.10.14	NAME: 15EDGRC-5.08-XXP-1Y-00A&Z(H)		
DRFT: 方哲盛	2022.10.14	DRAWING NO.:	TYPE:	DRAWING STATUS:
		200019408	CUSTOMER DRAWING	已发布
		SCALE:	1:1	SHEET:
				1/1

REV	ECN	DESCRIPTION	DRFT	DATE
00			方哲盛	2022.10.14

Transfer or duplication of this document as well as the utilization of its contents without the written consent of the manufacturer is prohibited. All rights reserved for patent. 复制或再行发布此文件以及未经许可擅自使用其内容均被禁止。所有权利均受专利法保护。未经制造商书面许可，不得复制或再行发布此文件。