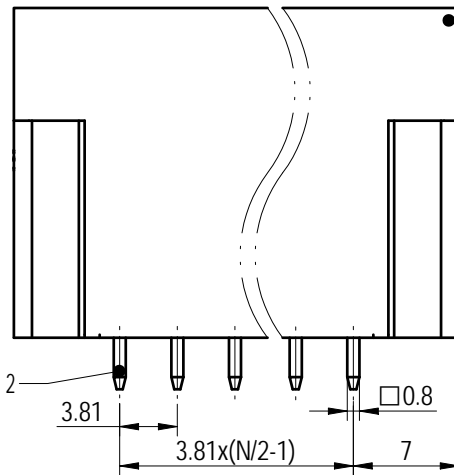
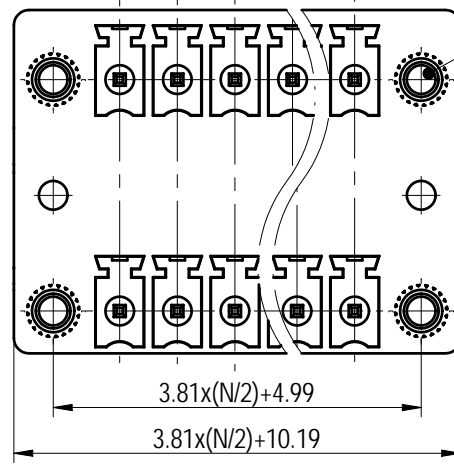
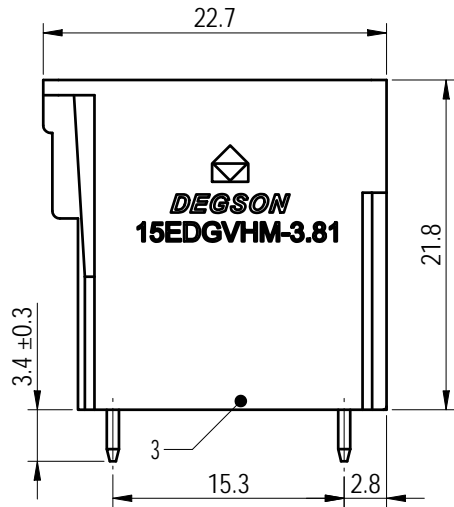
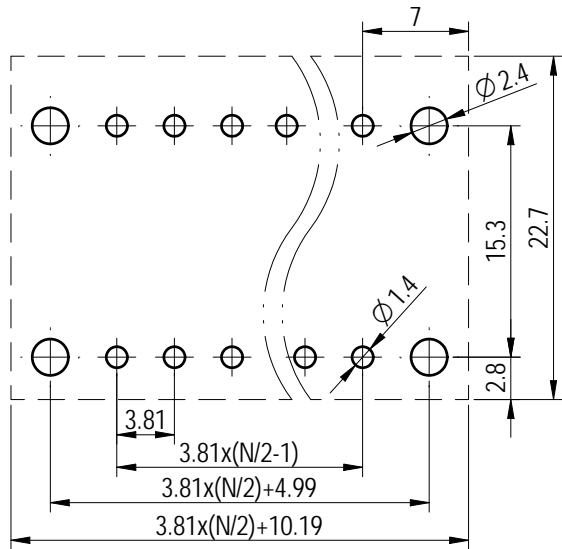
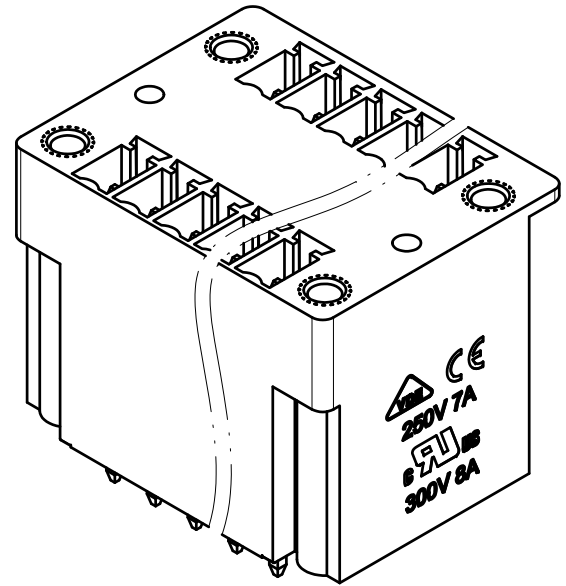


PCB LAYOUT



未注公差/General tolerances (mm)												0.1/10	
0	>3	>6	>10	>18	>30	>50	>80	>120	>180	>250	>315		>400
~3	~6	~10	~18	~30	~50	~80	~120	~180	~250	~315	~400	~500	>500
±0.12	±0.18	±0.22	±0.26	±0.31	±0.37	±0.57	±0.80	±0.93	±1.05	±1.15	±1.60	±2.20	±2.50



Note:
The A&Z(H) in the name means: A(H) and Z(H).

ITEM	NAME OF PART	MATERIAL	NOTES
4	Nut	Copper Alloy	M2.5
3	Cover	PA66	UL94V-0
2	Pin	Copper Alloy	Sn Plated
1	Housing	PA66	UL94V-0

UL 标准/UL Standard:	B	C	D
额定电压/电流/Rated Voltage(V)/Current(A)	300/8	/	300/8
IEC 标准/IEC Standard:			
过压类别/Overvoltage Category/污染等级/Pollution Degree	III/3	III/2	II/2
额定电压/电流/Rated Voltage(V)/Current(A)	/	/	250/7
额定脉冲电压(KV)/Rate Impulse Voltage(KV)	/	/	2.5
间距/Pitch(mm)/线数范围/Poles	3.81/N=04~48P		
使用温度范围/Operating temperature(°C)	-40~+105		
符合RoHS环保要求/Conform to RoHS	Yes		
标准颜色编号/Standard color number: PANTONE / RAL	/		



APPD: 兰春华	2023.02.07
CHKD: 龚耀志	2023.02.07
DRFT: 方哲盛	2023.02.07

MATERIAL:	SURFACE/COLOR:		
MAT NO./REV: -	/ 00	MAT STATUS: 批量	
NAME			
15EDGVHM-3.81-XXP-1Y-00A&Z(H)			
DRAWING NO.	TYPE	DRAWING STATUS	SCALE
200019747	CUSTOMER DRAWING	已发布	2:1
		SHEET	1/1

REV	ECN	DESCRIPTION	DRFT	DATE
00			方哲盛	2023.02.07

Transfer or duplication of this document as well as the utilization or communication of its contents are prohibited unless specifically permitted. 未经授权复制或传播本文件内容，以及利用或传播其内容均被严格禁止。 版权所有，侵权必究。