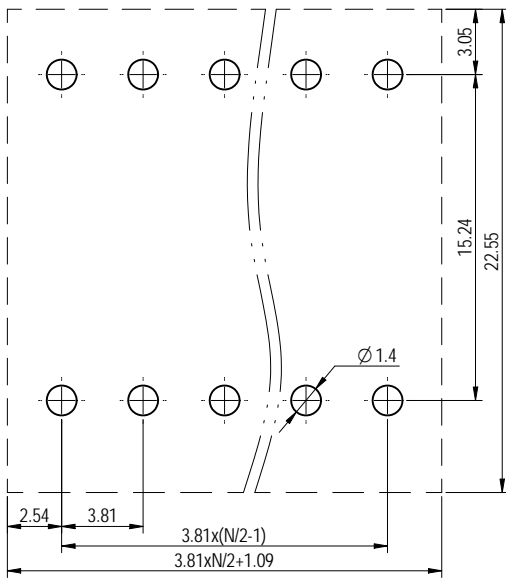
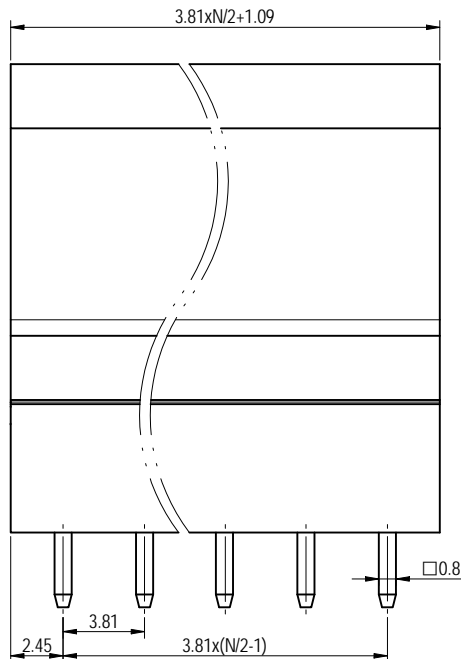
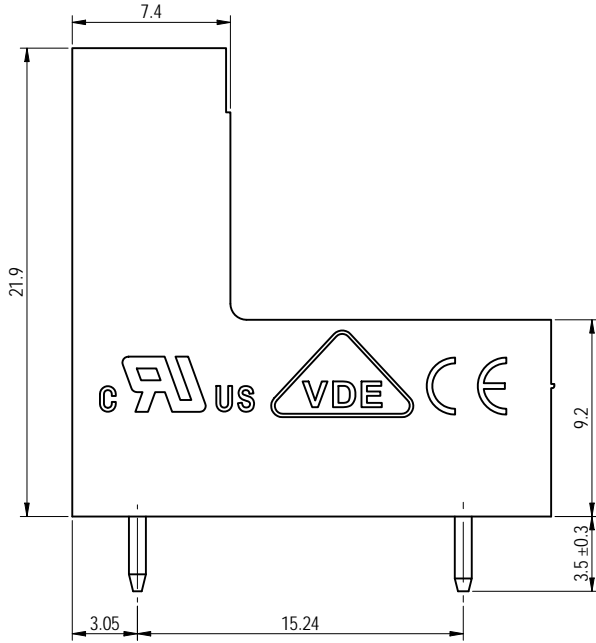
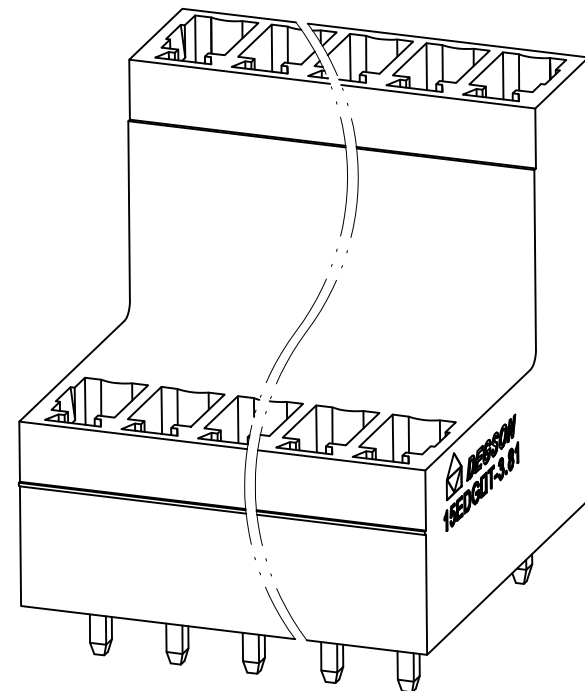
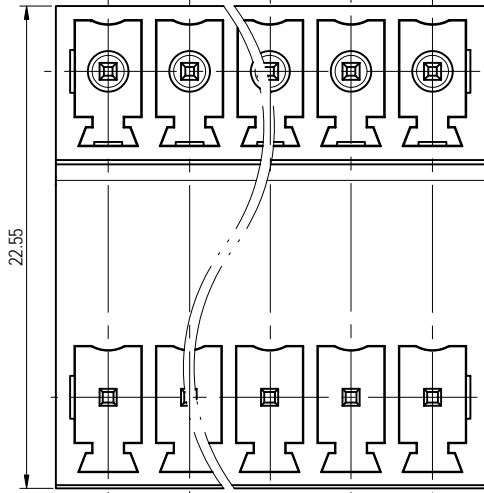


PCB LAYOUT



公差/General tolerances (mm)											0.1/10				
0	>3	>6	>10	>18	>30	>50	>80	>120	>180	>250	>400	>500			
~	3	6	10	18	30	50	80	120	180	250	400	500			
±0.12	±0.18	±0.22	±0.26	±0.31	±0.37	±0.57	±0.7	±0.80	±0.93	±1.05	±1.15	±1.60	±2.20	±2.50	±2



Note:
The A&Z(H) in the name means: A(H) and Z(H).

ITEM	NAME OF PART	MATERIAL	NOTES
4	Cover	PA66	UL94V-0
3	Pin 2	Copper alloy	Sn Plated
2	Pin 1	Copper alloy	Sn Plated
1	Housing	PA66	UL94V-0

UL 标准/UL Standard:	B	C	D
额定电压/电流/Rated Voltage(V)/Current(A)	300/8	/	/
IEC 标准/IEC Standard:			
过压类别/Overvoltage Category/污染等级/Pollution Degree	III/3	III/2	II/2
额定电压/电流/Rated Voltage(V)/Current(A)	/	/	250/7
额定脉冲电压(KV)/Rate Impulse Voltage(KV)	/	/	2.5
间距/Pitch(mm)/线数范围/Poles	3.81/N=04-48P		
使用温度范围/Operating temperature(°C)	-40~+105		
符合RoHS环保要求/Conform to RoHS	Yes		
标准颜色编号/Standard color number: PANTONE / RAL	/		

DIGSON MATERIAL: SURFACE/COLOR: MAT NO./REV: - /00 MAT STATUS: 批量

APPD: 兰春华 2022.10.13 NAME: 15EDGVT-3.81-XXP-1Y-00A&Z(H)

CHKD: 袁耀志 2022.10.13

DRFT: 方哲盛 2022.10.13 DRAWING NO. TYPE DRAWING STATUS SCALE SHEET

200019481 CUSTOMER DRAWING 已发布 4:1 1/1

REV	ECN	DESCRIPTION	DRFT	DATE
00			方哲盛	2022.10.13

Transfer or duplication of this document as well as the utilization of its contents without the written permission of the copyright holder is prohibited. All rights reserved for patent. 本文件及其内容之复制或未经许可之使用均受法律保护。未经授权，不得复制或传播本文件内容。所有权利保留，侵权必究。