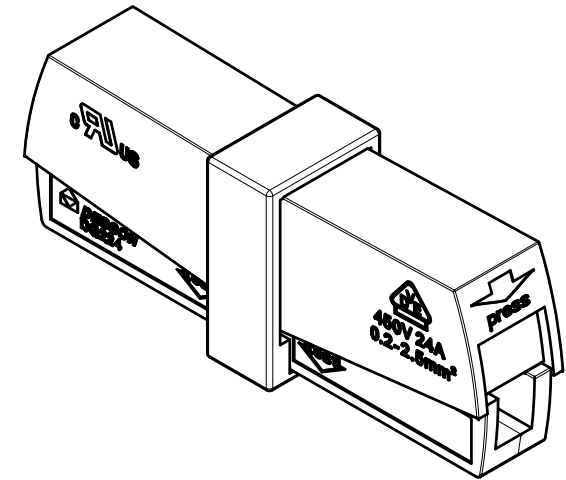
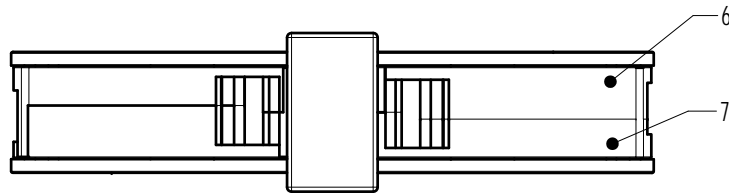
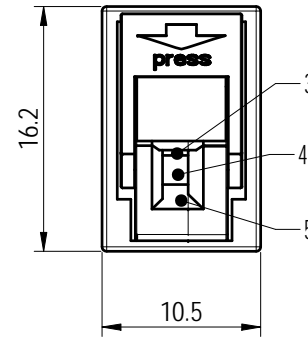
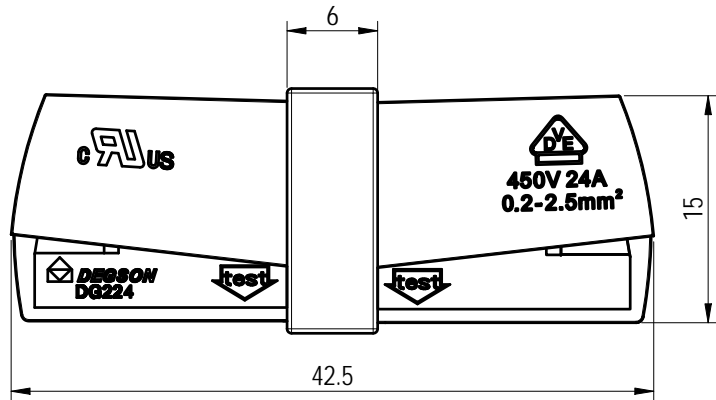
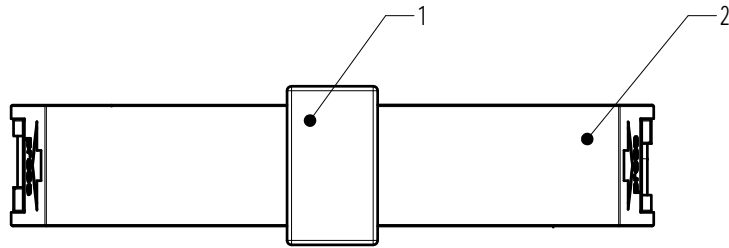


Transfer or duplication of this document as well as the utilization or communication of its content are prohibited unless approval is granted. Violations will be held for compensation. All rights reserved for patent, utility model or design registrations. 除专利等明确标注外, 未经许可, 不得复制或传播。 未经授权, 不得复制或传播。 未经授权, 不得复制或传播。

| 未注公差/General tolerances (mm) | | | | | | | | | | | | | 0.1/10 |
|------------------------------|-------|-------|-------|-------|-------|-------|-------|-------|-------|-------|-------|-------|--------|
| 0 | >3 | >6 | >10 | >18 | >30 | >50 | >80 | >120 | >180 | >250 | >315 | >400 | |
| ~3 | ~6 | ~10 | ~18 | ~30 | ~50 | ~80 | ~120 | ~180 | ~250 | ~315 | ~400 | ~500 | >500 |
| ±0.12 | ±0.18 | ±0.22 | ±0.26 | ±0.31 | ±0.37 | ±0.57 | ±0.80 | ±0.93 | ±1.05 | ±1.15 | ±1.60 | ±2.20 | ±2.50 |



Note:
The A&Z(H) in the name means: A(H) and Z(H).

| ITEM | NAME OF PART | MATERIAL | NOTES |
|------|------------------|-----------------|-----------|
| 7 | Housing | PA66 | UL94V-0 |
| 6 | Housing1 | PA66 | UL94V-0 |
| 5 | Current carrier2 | Copper | Sn plated |
| 4 | Current carrier1 | Copper | Sn plated |
| 3 | Spring | Stainless steel | / |
| 2 | Cover | PA66 | UL94V-0 |
| 1 | Mid housing | PA66 | UL94V-0 |

| UL 标准/UL Standard: | B | C | D |
|---|---------------|--------|--------|
| 额定电压/电流/Rated Voltage(V)/Current(A) | 300/22 | / | 300/10 |
| IEC 标准/IEC Standard: | | | |
| 过压类别/Overvoltage Category/污染等级/Pollution Degree | III/3 | III/2 | II/2 |
| 额定电压/电流/Rated Voltage(V)/Current(A) | / | 450/24 | / |
| 工频耐压/Withstanding voltage(V/1Min) | AC2500 | | |
| 线径范围(硬线和软线)/Wire Range(rigid and flexible)(AWG/mm²) | 22~12/0.2~2.5 | | |
| 剥线长度/Stripping length(mm) | 9~10 | | |
| 使用温度范围/Operating temperature(°C) | -40~+105 | | |
| 符合RoHS环保要求/Conform to RoHS | Yes | | |

| | |
|-----------|------------|
| | |
| APPD: 兰春华 | 2022.10.14 |
| CHKD: 陈招 | 2022.10.14 |
| DRFT: 龚徐涛 | 2022.10.14 |

| | | |
|---------------------------|------------------|----------------|
| MATERIAL: | SURFACE/COLOR: | |
| MAT NO./REV: | / 00 | MAT STATUS: 批量 |
| NAME | | |
| DG224-8.0-01P-1Y-00A&Z(H) | | |
| DRAWING NO. | TYPE | DRAWING STATUS |
| 200029142 | CUSTOMER DRAWING | 已发布 |
| SCALE | SHEET | |
| 2:1 | 1/1 | |

| REV | ECN | DESCRIPTION | DRFT | DATE |
|-----|-----|-------------|------|------------|
| 00 | | | 龚徐涛 | 2022.10.14 |

