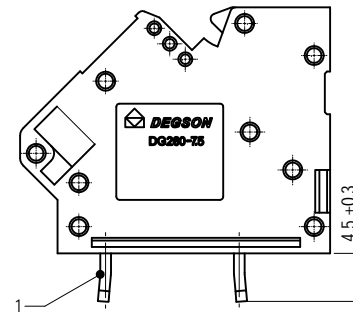
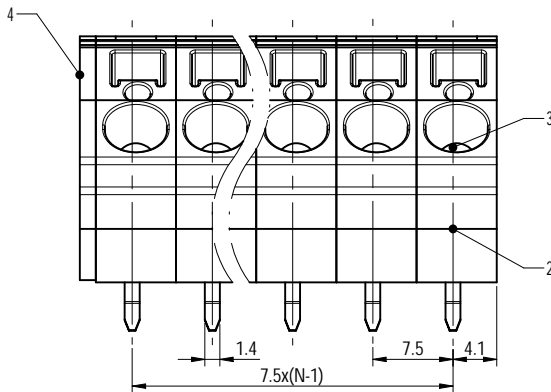
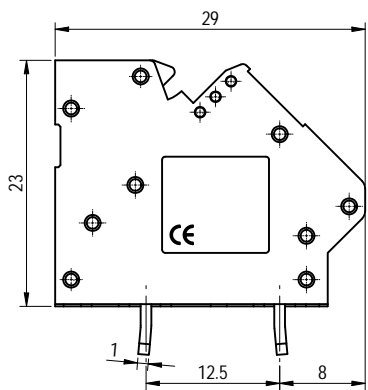
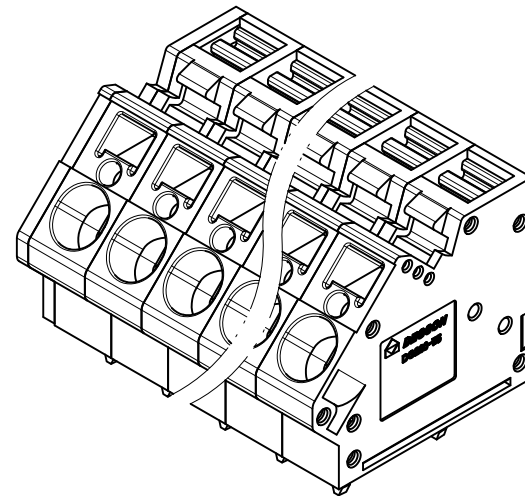
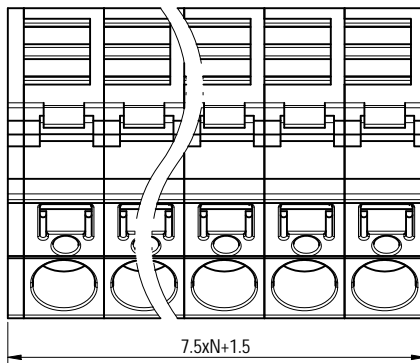
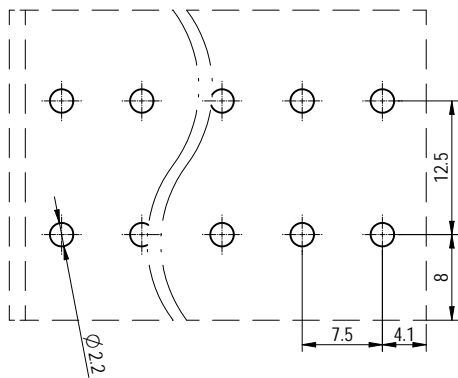


PCB LAYOUT



公差/General tolerances (mm)														
0	>3	>6	>10	>18	>30	>50	>80	>120	>180	>250	>315	>400	>500	0.1/10
~	6	10	18	30	50	80	120	180	250	315	400	500	>500	±2
±0.12	±0.18	±0.22	±0.26	±0.31	±0.37	±0.57	±0.80	±0.93	±1.05	±1.15	±1.60	±2.20	±2.50	±2
UL 标准/UL Standard:										B	C	D		
额定电压/电压/Rated Voltage(V)/Current(A)										300/50	/	/	/	
IEC 标准/IEC Standard:														
过压类别/Overvoltage Category/污染等级/Pollution Degree										III/3	III/2	II/2		
额定电压/电压/Rated Voltage(V)/Current(A)										500/32	630/32	1000/32		
额定脉冲电压(KV)/Rate Impulse Voltage(KV)										6	6	6		
线径范围(硬线和软线)/Wire Range(rigid and flexible)(AWG/mm²)										24~10 / 0.2~4				
间距/Pitch(mm)/线数范围/Poles										7.5/N=02~16P				
剥线长度/Stripping length(mm)										10~11				
使用温度范围/Operating temperature(°C)										-40~+105				
符合RoHS环保要求/Conform to RoHS										Yes				

Note: The A&Z(H) in the name means: A(H) and Z(H).

4	Cover	PA66	UL94V-0
3	Spring	Stainless steel	/
2	Housing	PA66	UL94V-0
1	Pin header	Copper	Sn plated
ITEM	NAME OF PART	MATERIAL	NOTES

DEGSON MATERIAL: / SURFACE/COLOR: /
 APPD: 竺春华 2023.01.11 NAME: / MAT NO./REV: - / 00 MAT STATUS: 批量
 CHKD: 陈滔 2023.01.11
 DRFT: 物理学 2023.01.11
 DRAWING NO. 200025595 TYPE CUSTOMER DRAWING DRAWING STATUS 已发布 SCALE 2:1 SHEET 1/1
DG260-7.5-XXP-1Y-00A&Z(H)

00			物理学	2023.01.11	
REV	ECN	DESCRIPTION	DRFT	DATE	

Transfer or duplication of this document as well as the utilization of its contents without the written permission of DEGSON is prohibited. 未经授权复制或传播本文件及其内容，或在本文件内容的基础上进行任何修改，均属于侵权行为。 版权所有，侵权必究。