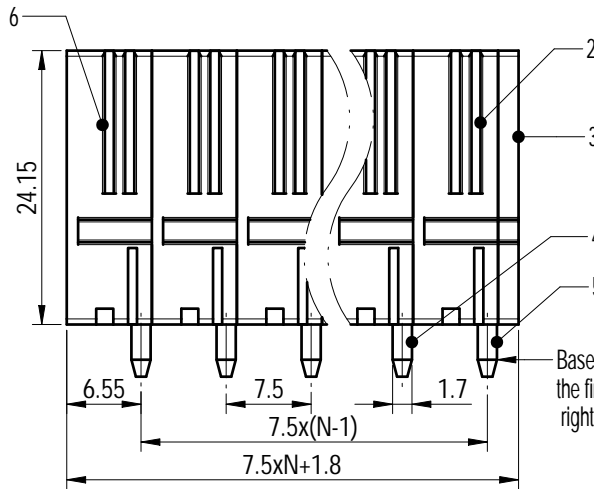
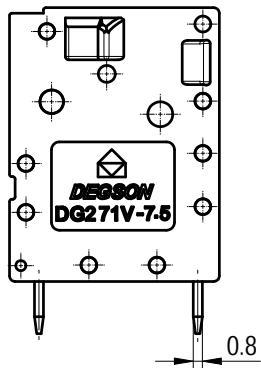
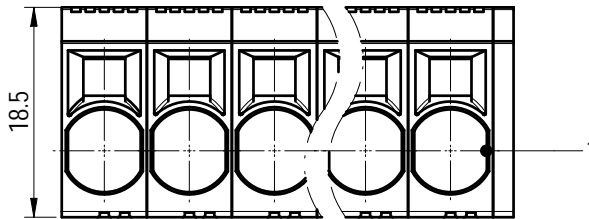
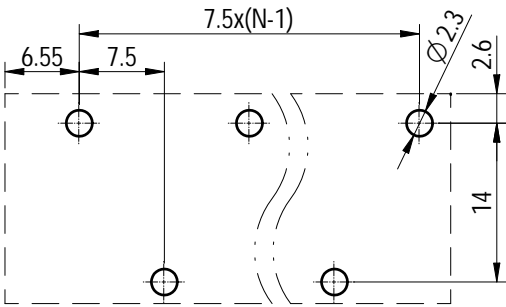
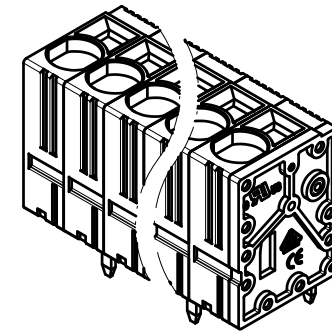
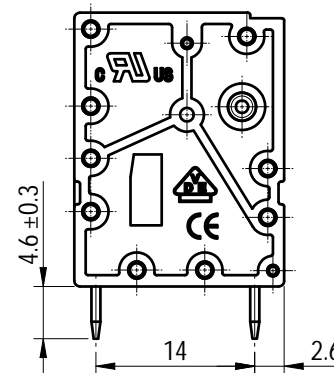


PCB LAYOUT



Based on Cover, the first one is right pin header.



公差/General tolerances (mm)

0	>3	>6	>10	>18	>30	>50	>80	>120	>180	>250	>315	>400	>500	0.1/10 ±2'
~3	~6	~10	~18	~30	~50	~80	~120	~180	~250	~315	~400	~500		
±0.12	±0.18	±0.22	±0.26	±0.31	±0.37	±0.57	±0.80	±0.93	±1.05	±1.15	±1.60	±2.20	±2.50	

UL 标准/UL Standard:		B	C	D
额定电压/电流/Rated Voltage(V)/Current(A)		600/40	600/40	600/5
IEC 标准/IEC Standard:				
过压类别/Overvoltage Category/污染等级/Pollution Degree		III/3	III/2	II/2
额定电压/电流/Rated Voltage(V)/Current(A)		630/41	1000/41	1000/41
额定脉冲电压(KV)/Rate Impulse Voltage(KV)		8	8	8
线径范围(硬线和软线)/Wire Range(rigid and flexible)(AWG/mm²)		24~8 / 0.2~6		
间距/Pitch(mm)/线数范围/Poles		7.5/N=02~16P		
剥线长度/Stripping length(mm)		14~15		
使用温度范围/Operating temperature(°C)		-40~+105		
符合RoHS环保要求/Conform to RoHS		Yes		

Note:

The A&Z (H) in the name means: A(H) and Z(H).

6	Housing 2	PA66	UL94V-0
5	Pin header 2	Copper	Sn plated
4	Pin header 1	Copper	Sn plated
3	Cover	PA66	UL94V-0
2	Housing 1	PA66	UL94V-0
1	Spring	Stainless steel	/
ITEM	NAME OF PART	MATERIAL	NOTES

		MATERIAL: /		SURFACE/COLOR: /	
		MAT NO./REV: - / 00		MAT STATUS: 批量	
APPD: 兰春华	2022.08.16	NAME			
CHKD: 陈招	2022.08.15	DG271V-7.5-DB-XXP-1Y-100A&Z(H)			
DRFT: 柳学龙	2022.08.15	DRAWING NO.	TYPE	DRAWING STATUS	SCALE
		200025142	CUSTOMER DRAWING	已发布	1.5:1
					SHEET 1/1

00			柳学龙	2022.08.15
REV	ECN	DESCRIPTION	DRFT	DATE

Transfer or duplication of this document as well as the utilization or communication of its content are prohibited unless authorized in writing by DEGSON. All rights reserved for patent. 未经授权，不得复制或传播本文件内容，也不得在未经 DEGSON 书面许可的情况下，将本文件内容用于任何目的。违反者将承担法律责任。 除专利号外，其他内容均受法律保护。 除专利号外，其他内容均受法律保护。