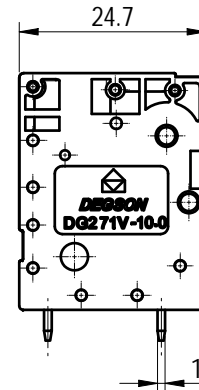
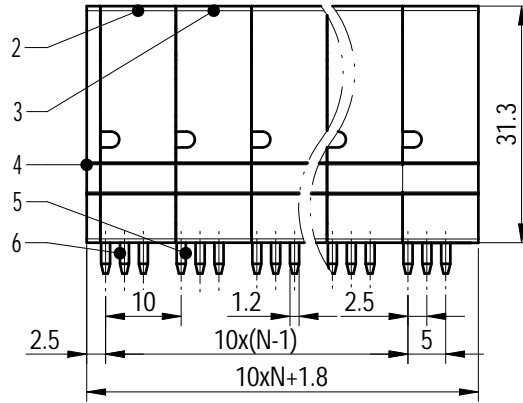
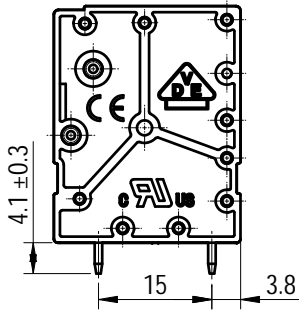
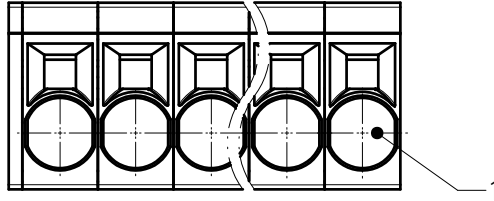
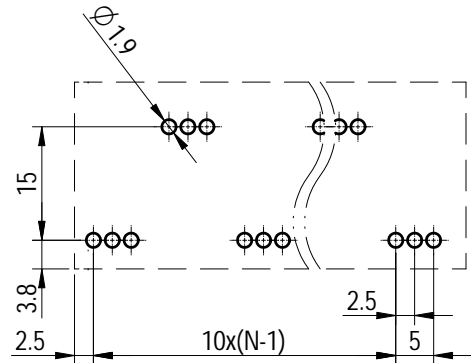
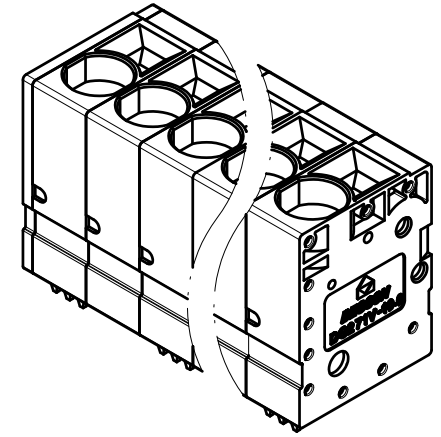


PCB LAYOUT



未注公差/General tolerances (mm)										0.1/10 ±2'			
0 ~ 3	>3 ~ 6	>6 ~ 10	>10 ~ 18	>18 ~ 30	>30 ~ 50	>50 ~ 80	>80 ~ 120	>120 ~ 180	>180 ~ 250		>250 ~ 315	>315 ~ 400	>400 ~ 500
±0.12	±0.18	±0.22	±0.26	±0.31	±0.37	±0.57	±0.80	±0.93	±1.05	±1.15	±1.60	±2.20	±2.50
UL 标准/UL Standard:										B	C	D	
额定电压/电流/Rated Voltage(V)/Current(A)										600/70	600/70	600/5	
IEC 标准/IEC Standard:													
过压类别/Overvoltage Category/污染等级/Pollution Degree										III/3	III/2	II/2	
额定电压/电流/Rated Voltage(V)/Current(A)										1000/76	1000/76	1000/76	
额定脉冲电压(kV)/Rate Impulse Voltage(kV)										8	8	8	
线径范围(硬线和软线)/Wire Range (rigid and flexible)(AWG/mm ²)										20~4 / 0.2~16			
间距/Pitch(mm)/线数范围/Poles										10.0/N=2~12P			
剥线长度/Stripping length (mm)										17~18			
使用温度范围/Operating temperature(°C)										-40~+105			
符合RoHS环保要求/Conform to RoHS										Yes			



Note:
The A&Z(H) in the name means :A(H) and Z(H).

6	Pin header 1	Copper	Sn plated
5	Pin header 2	Copper	Sn plated
4	Cover	PA66	UL94V-0
3	Housing 2	PA66	UL94V-0
2	Housing 1	PA66	UL94V-0
1	Spring	Stainless steel	/
ITEM	NAME OF PART	MATERIAL	NOTES

		MATERIAL: /		SURFACE/COLOR: /	
APPD: 兰春华 2022.08.10		MAT NO./REV: - / 00		MAT STATUS: 批量	
CHKD: 陈招 2022.08.10		NAME			
DRFT: 柳学龙 2022.08.09		DG271V-10.0-DB-XXP-1Y-100A&Z(H)			
DRAWING NO. 200099427		TYPE CUSTOMER DRAWING		DRAWING STATUS 已发布	
SCALE 1:1		SHEET 1/1			

00	REV	ECN	DESCRIPTION	DRFT	DATE	柳学龙	2022.08.09
----	-----	-----	-------------	------	------	-----	------------

Transfer or duplication of this document as well as the utilization or communication of its contents are prohibited unless authorized in advance. Weights and dimensions are for reference only. All rights reserved for patent. 除专利注明限制外，未经许可，禁止复制或传播，否则将依法追究。本产品文件的所有权保留。