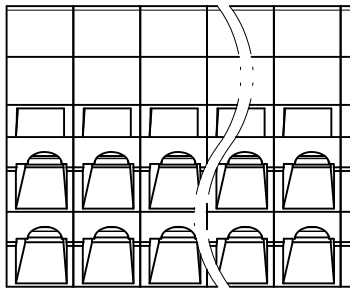
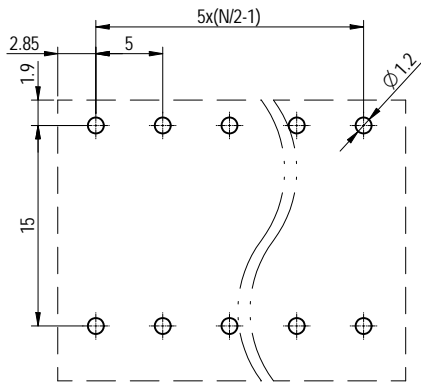
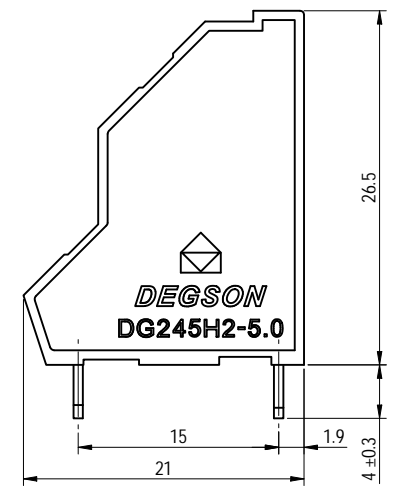
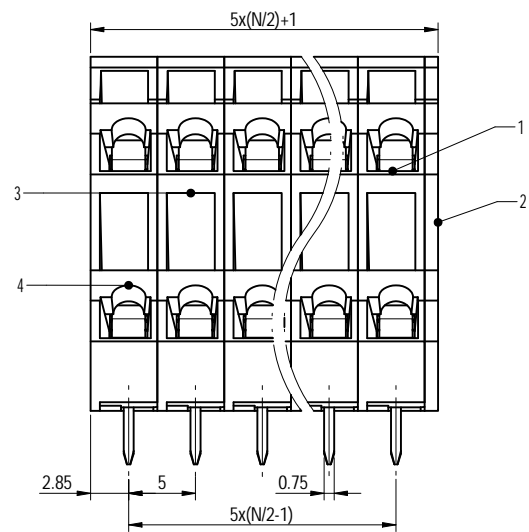
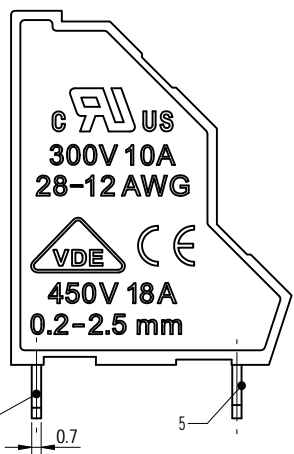
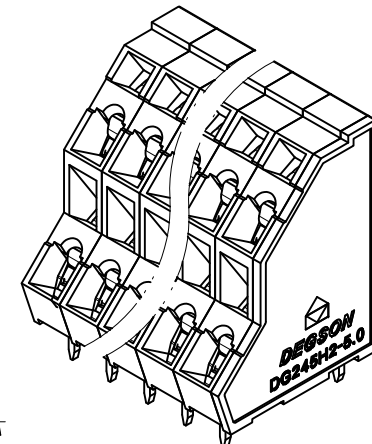


PCB LAYOUT



未注公差/General tolerances (mm)														
0	>3	>6	>10	>18	>30	>50	>80	>120	>180	>250	>315	>400	>500	0.1/10
~	~	~	~	~	~	~	~	~	~	~	~	~	~	~
3	6	10	18	30	50	80	120	180	250	315	400	500		
±0.12	±0.18	±0.22	±0.28	±0.31	±0.37	±0.57	±0.80	±0.93	±1.05	±1.15	±1.80	±2.20	±2.50	±2'
UL 标准/UL Standard:										B	C	D		
额定电压/电流/Rated Voltage(V)/Current(A)										300/10	7	300/10		
IEC 标准/IEC Standard:														
过压类别/Overvoltage Category/污染等级/Pollution Degree										III/3	III/2	II/2		
额定电压/电流/Rated Voltage(V)/Current(A)										/	450/18	/		
工频耐压/Withstanding Voltage (V/Min)										AC2500				
线径范围(硬线和软线)/Wire Range(rigid and flexible)(AWG/mm²)										28~12/0.2~2.5				
间距/Pitch(mm)/线数范围/Poles										5.0/N=02~48P				
剥线长度/Stripping length(mm)										5~6				
使用温度范围/Operating temperature(°C)										-40~+105				
符合RoHS环保要求/Conform to RoHS										Yes				



Note:
The A&Z(H) in the name means: A(H) and Z(H).

6	Pin header 2	Copper	Sn plated
5	Pin header 1	Copper Alloy	Sn plated
4	Housing 2	PA66	UL94V-0
3	Housing 1	PA66	UL94V-0
2	Cover	PA66	UL94V-0
1	Spring	Stainless steel	/
ITEM	NAME OF PART	MATERIAL	NOTES

DEGSON		MATERIAL: /	SURFACE/COLOR: /	
APPD: 兰春华	2022.10.08	MAT NO./REV: - / 00	MAT STATUS: 批量	
CHKD: 陈超	2022.09.29	NAME: DG245H2-5.0-XXP-1Y-00A&Z(H)		
DRFT: 黎学光	2022.09.29	DRAWING NO. 200025365	TYPE CUSTOMER DRAWING	DRAWING STATUS 已发布
REV	ECN	DESCRIPTION	DRFT	DATE
00			黎学光	2022.09.29
A3		1/1		SCALE 2.5:1

00			黎学光	2022.09.29
REV	ECN	DESCRIPTION	DRFT	DATE

Transfer or duplication of this document as well as the utilization of its contents without the written permission of DEGSON is prohibited. All rights reserved for patent. 复制或再行发布此文件以及其内容之利用，未经 DEGSON 书面许可，均属侵权行为。DEGSON 保留所有权利。未经许可，不得复制或再行发布此文件及其内容。