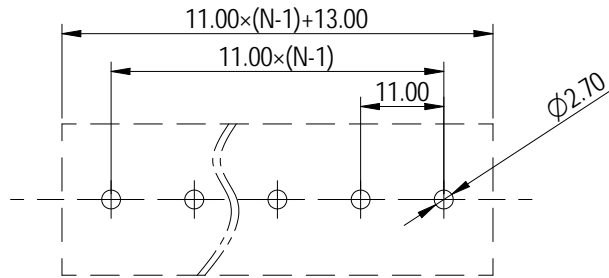
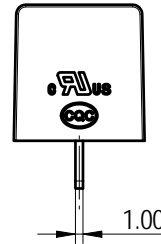
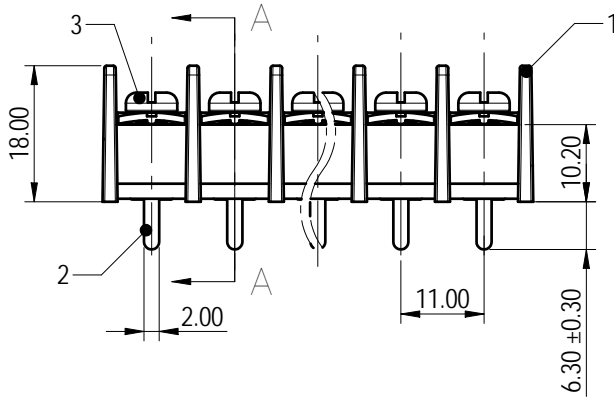
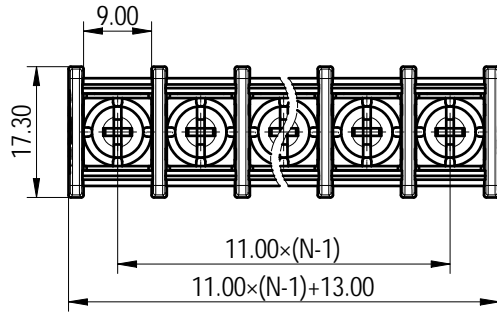


未注公差/General tolerances(mm)											0.1/10 ±2'		
0	>3	>6	>10	>18	>30	>50	>80	>120	>180	>250		>315	>400
~	~	~	~	~	~	~	~	~	~	~	~	~	~
±0.12	±0.18	±0.22	±0.26	±0.31	±0.37	±0.57	±0.80	±0.93	±1.05	±1.15	±1.60	±2.20	±2.50



PCB LAYOUT

Note: The A&Z (H) in the name means: A (H) and Z (H).

ITEM	NAME OF PART	MATERIAL	NOTES
3	Screws	Steel	M4/Ni plated
2	Pin header	Copper alloy	M4/Sn Plated
1	Housing	PA66	UL94V-0

UL 标准/UL Standard:	B	C	D
额定电压/电流/Rated Voltage(V)/Current(A)	300/30	/	300/10
螺丝扭矩/Torque Tightening(N·m/Lb.in)	M4, 1.15/10.53		
线径范围(硬线和软线)/Wire Range(rigid and flexible)(AWG/mm²)	22-10		
间距/Pitch(mm)/线数范围/Poles	11/N=02-22P		
剥线长度/Stripping length(mm)	11-13		
使用温度范围/Operating temperature(°C)	-40-+105		
符合RoHS环保要求/Conform to RoHS	Yes		

DEGSON		MATERIAL:	SURFACE/COLOR:		
APPD: 蓝贵凡	2023.07.13	MAT NO./REV: / 00	MAT STATUS: 批量		
CHKD: 曹利彬	2023.07.13	NAME: DG65C-B-XXP-1Y-00A&Z(H)			
DRFT: 孙科豪	2023.07.13	DRAWING NO. 200061532	TYPE: CUSTOMER DRAWING	DRAWING STATUS: 已发布	SCALE: 2:1
REV: 00	ECN:	DESCRIPTION:	DRFT:	DATE:	SHEET: 1/1

REV	ECN	DESCRIPTION	DRFT	DATE
00				

Transfer or duplication of this document as well as the utilization or communication of its content are prohibited unless explicitly permitted. Violations will be treated for compensation. All rights reserved for patent, utility model or design registrations. 除专利、实用新型、外观设计、软件著作权等依法享有权利外，其他权利均归本公司所有。未经许可，不得复制或传播。 除专利、实用新型、外观设计、软件著作权等依法享有权利外，其他权利均归本公司所有。