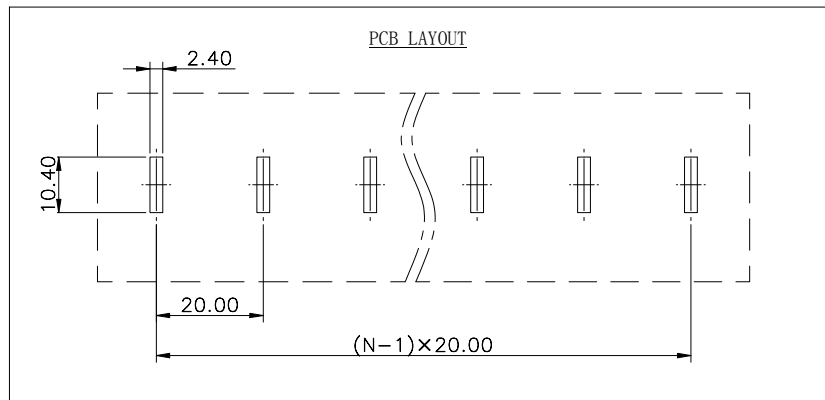
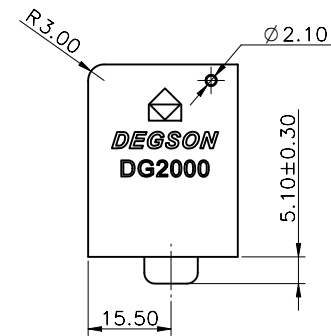
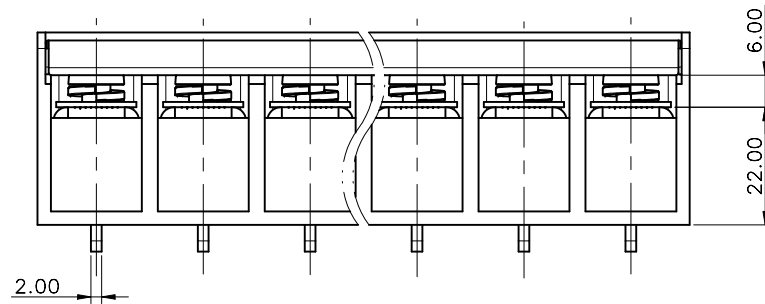
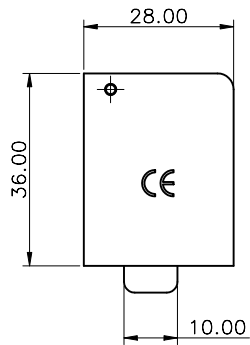
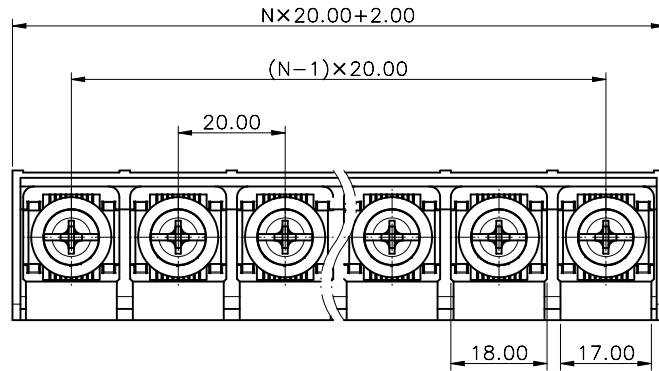


未註公差/General tolerances(mm)													0.1/10 ±2'
0	>3	>6	>10	>18	>30	>50	>80	>120	>180	>250	>315	>400	
~3	~6	~10	~18	~30	~50	~80	~120	~180	~250	~315	~400	~500	
±0.12	±0.18	±0.22	±0.26	±0.31	±0.37	±0.57	±0.80	±0.93	±1.05	±1.15	±1.60	±2.20	±2.50

(W/O COVER VIEW)



Note: The A&Z (H) in the name means: A (H) and Z (H).

UL 标准/UL Standard:	B	C	D
额定电压/电压/Rated Voltage(V)/Current(A)	600/75		
螺丝扭矩/Torque Tightening(N·m/Lb.in)	M6: 2.4/22.15		
线径范围(硬线和软线)/Wire Range(rigid and flexible)(AWG)	26~4		
间距/Pitch(mm)/线数范围/Poles	20.00/N=02~12P		
使用温度范围/Operating temperature(°C)	-40~+120		
符合RoHS环保要求/Conform to RoHS	Yes		

DEGSON		MATERIAL: /	SURFACE: /		
APPD: 蓝美凡	2023.04.18	MAT NO./REV: - / 00	MAT STATUS: 批量		
CHKD: 曹利影	2023.04.18	NAME: DG2000-B-XXP-1Y-00A&Z(H)			
DRFT: 姜民洁	2023.04.18	DRAWING NO. 200014811	TYPE: CUSTOMER DRAWING	DRAWING STATUS: 已发布	SCALE: 1:1
REV: 00	ECN	DESCRIPTION	DRFT	DATE	SHEET: 1/1

REV	ECN	DESCRIPTION	DRFT	DATE	SCALE	SHEET
00					1:1	1/1

Transfer or duplication of this document as well as the utilization of its contents without the written permission of DEGSON is prohibited. All rights reserved for patent, utility, model or design, reproduction, distribution, modification, improvement, or any other form of intellectual property rights.