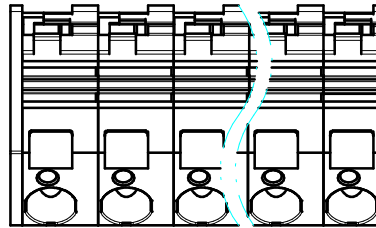
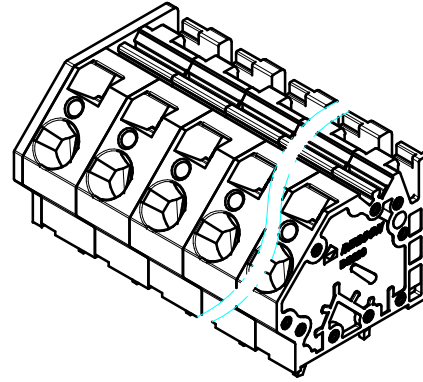
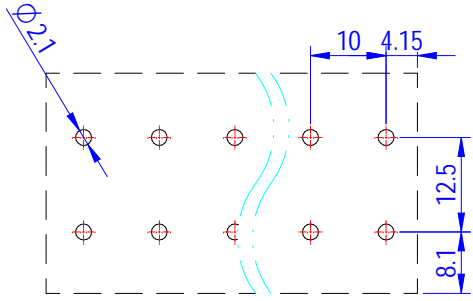


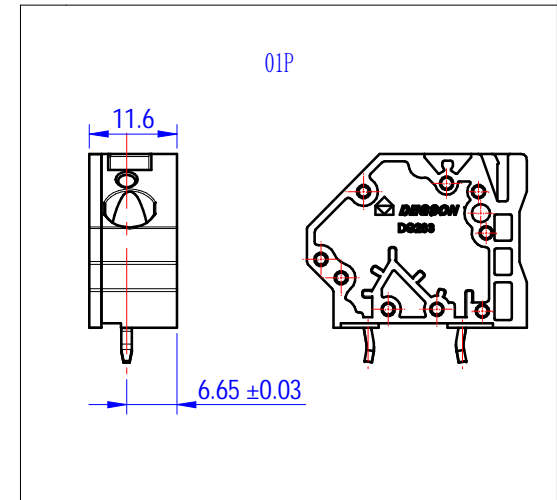
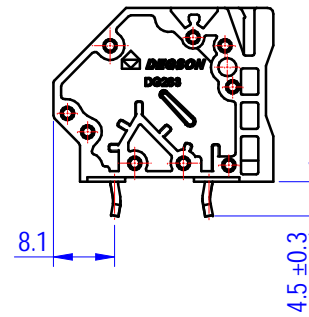
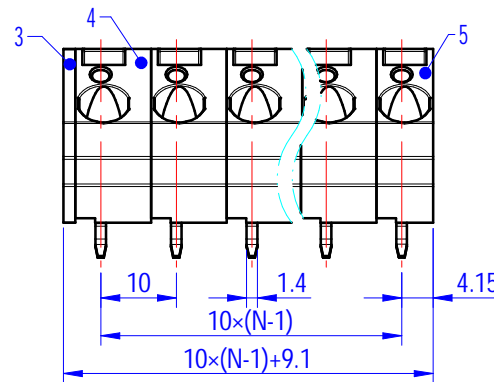
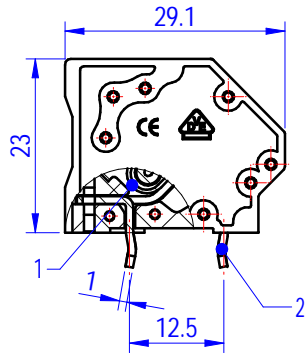
PCB LAYOUT



未注公差/General tolerances (mm)													
0	>3	>6	>10	>18	>30	>50	>80	>120	>180	>250	>315	>400	0.1/10 ±2'
~	~	~	~	~	~	~	~	~	~	~	~	~	
±0.12	±0.18	±0.22	±0.26	±0.31	±0.37	±0.57	±0.80	±0.93	±1.05	±1.15	±1.60	±2.20	±2.50

UL 标准/UL Standard:	B	C	D
额定电压/电流/Rated Voltage(V)/Current(A)	300/30	/	/
IEC 标准/IEC Standard:			
过压类别/Ovoltage Category/ 污染等级/Pollution Degree	III/3	III/2	II/2
额定电压/电流/Rated Voltage(V)/Current(A)	630/41	1000/41	1000/41
额定脉冲电压/Rate Impulse Voltage (KV)	8		
线径范围(硬线和软线)/Wire Range(rigid and flexible)(AWG mm <sup>2</sup> )	24~ 10/ 0.2~ 6		
间距/Pitch(mm)/线数范围/ Poles	10.0/N= 01~ 12P		
剥线长度/Stripping length(mm)	11~ 12		
使用温度范围/Operating temperature(°C)	-40~ + 105		
符合 RoHS 环保要求/Conform to RoHS	Yes		

5	Housing2	PA66	UL94V-0
4	Housing1	PA66	UL94V-0
3	Cover	PA66	UL94V-0
2	Pin header	Copper	Sn Plated
1	Spring	Stainless steel	/
ITEM	NAME OF PART	MATERIAL	NOTES



		MATERIAL:	SURFACE/COLOR:		
		MAT NO./REV:	MAT STATUS: 批量		
APPD: 兰春华	2024.05.23	NAME			
CHKD: 陈招	2024.05.23	DG263-10.0-XXP-1Y-00A&Z(H)			
DRFT: 唐本恒	2024.05.22	DRAWING NO.	TYPE	DRAWING STATUS	SCALE
		200025290	CUSTOMER DRAWING	已发布	1:1
					SHEET 1/1

REV	ECN	DESCRIPTION	DRFT	DATE
01		1x 取消简化3D,调整视图	唐本恒	2024.05.22

Transfer or duplication of this document as well as the utilization or communication of its contents are prohibited unless authorized in writing by DEGSON. All rights reserved for patent, utility model or design registrations. 除专利、实用新型、外观设计、软件著作权、商标、印刷、光盘等文件的所有权、使用权、复制权、修改权、传播权等权利外，其他权利均保留。