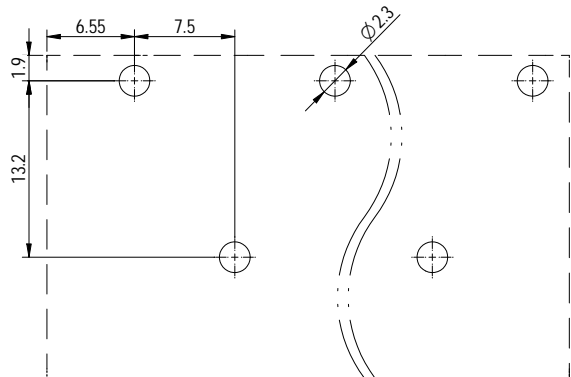


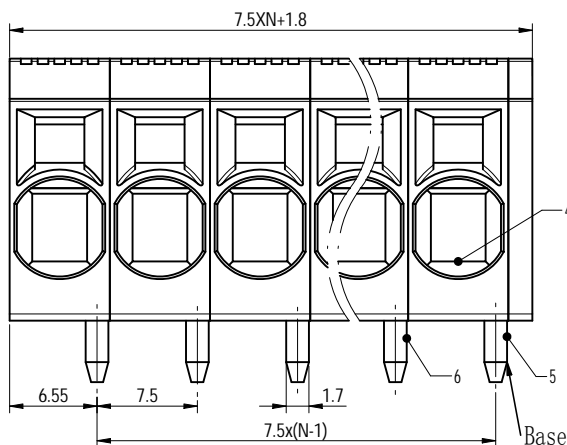
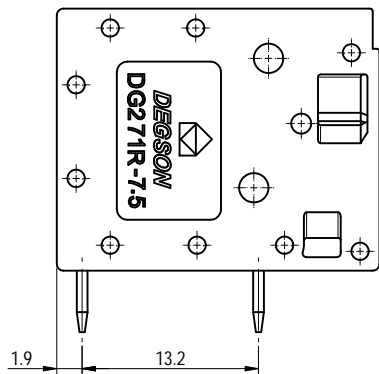
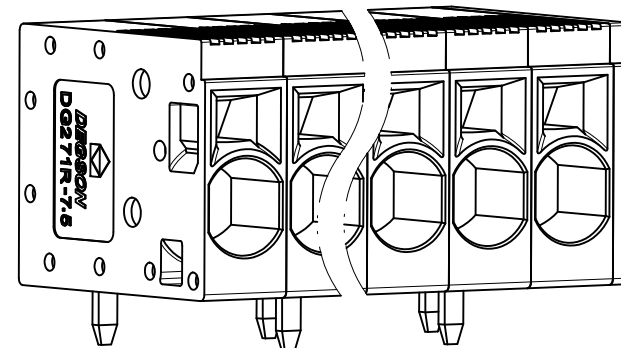
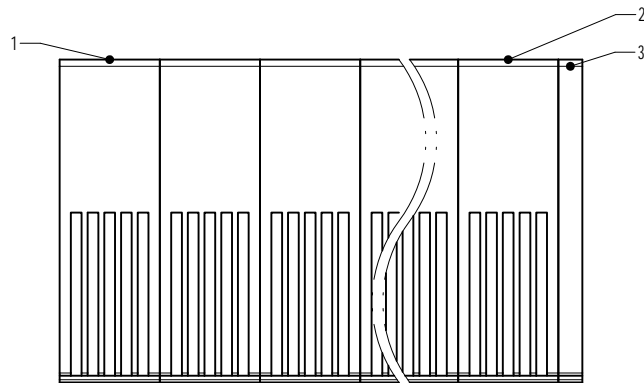
PCB LAYOUT



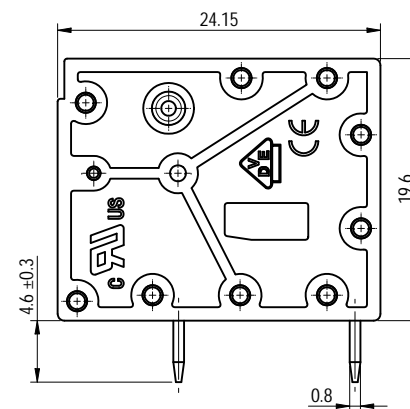
公差/General tolerances (mm)										D				
0	>3	>6	>10	>18	>30	>50	>80	>120	>180	>250	>315	>400	>500	0.1/10
~	~	~	~	~	~	~	~	~	~	~	~	~	~	±2
±0.12	±0.18	±0.22	±0.26	±0.31	±0.37	±0.57	±0.80	±0.93	±1.05	±1.15	±1.60	±2.20	±2.50	

UL 标准/UL Standard:	B	C	D
额定电压/电压/Rated Voltage(V)/Current(A)	600/40	600/40	/
IEC 标准/IEC Standard:			
过压类别/Overvoltage Category/污染等级/Pollution Degree	III/3	III/2	II/2
额定电压/电压/Rated Voltage(V)/Current(A)	630/41	1000/41	1000/41
额定脉冲电压(KV)/Rate Impulse Voltage(KV)	8	8	8
线径范围(硬线和软线)/Wire Range(rigid and flexible)(AWG/mm²)	24~8 / 0.2~6.0		
间距/Pitch(mm)/线数范围/Poles	7.5/N=02~16P		
剥线长度/Stripping length(mm)	14~15		
使用温度范围/Operating temperature(°C)	-40~+105		
符合RoHS环保要求/Conform to RoHS	Yes		



Based on Cover, the first one is Back pin header.



Note:  
The A&Z(H) in the name means :A(H) and Z(H).

ITEM	NAME OF PART	MATERIAL	NOTES
6	Back Pin Header	Copper	Sn Plated
5	Front Pin Header	Copper	Sn Plated
4	Spring	Stainless steel	/
3	Cover	PA66	UL94V-0
2	Housing 2	PA66	UL94V-0
1	Housing 1	PA66	UL94V-0

<b>DEGSON</b>		MATERIAL: /	SURFACE/COLOR: /	
APPD: 竺泰华	2023.02.16	MAT NO./REV: - / 00	MAT STATUS: 批量	
CHKD: 陈超	2023.02.16	NAME: DG271R-7.5-DB-XXP-1Y-100A&Z(H)		
DRFT: 智学龙	2023.02.16	DRAWING NO. 200025613	TYPE CUSTOMER DRAWING	DRAWING STATUS 已发布
REV	ECN	DESCRIPTION	DRFT	DATE
00			智学龙	2023.02.16
A3		1/1		SCALE 2.5:1
				SHEET 1/1

Transfer or duplication of this document as well as the utilization of its contents without the prior written consent of Degson Electronics Co., Ltd. is prohibited. 未经授权复制或传播本文件以及在没有事先获得德松电子有限公司书面同意的情况下使用其内容是被禁止的。 德松电子有限公司保留所有权利。 未经许可，不得复制或传播本文件及其内容。