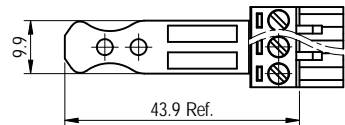
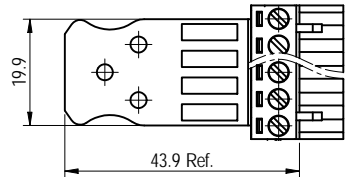


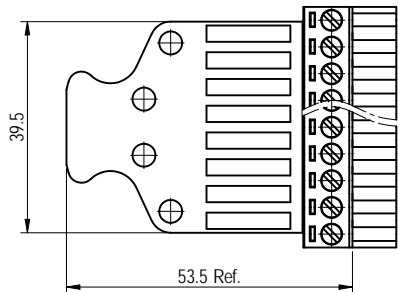
未注公差/General tolerances (mm)											$\frac{\text{D}}{\text{d}}$			
0	>3	>6	>10	>18	>30	>50	>80	>120	>180	>250	>315	>400	>500	0.1/10
~	~	~	~	~	~	~	~	~	~	~	~	~	~	$\frac{\text{D}}{\text{d}}$
±0.12	±0.18	±0.22	±0.26	±0.31	±0.37	±0.57	±0.80	±0.93	±1.05	±1.15	±1.60	±2.20	±2.50	±2



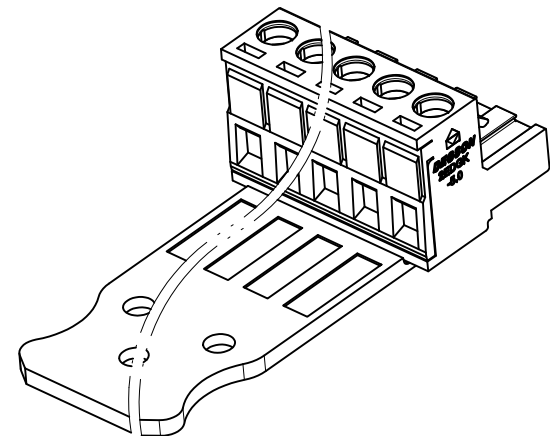
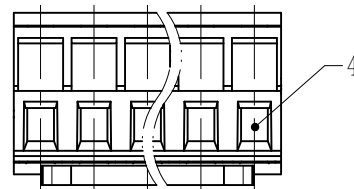
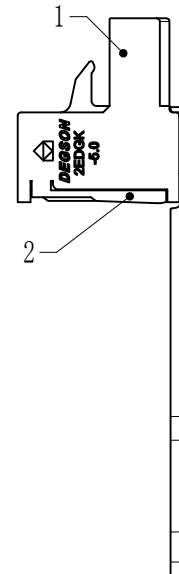
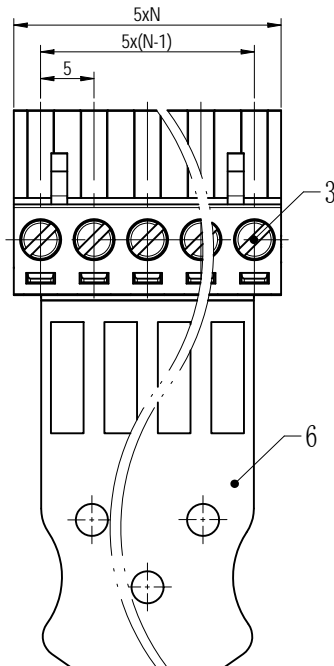
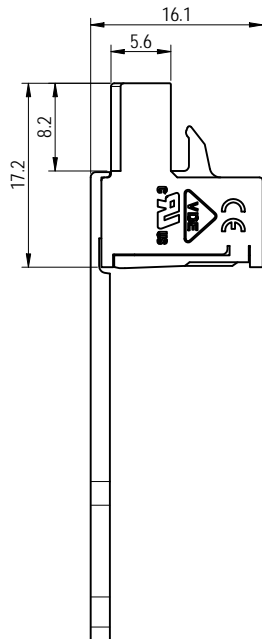
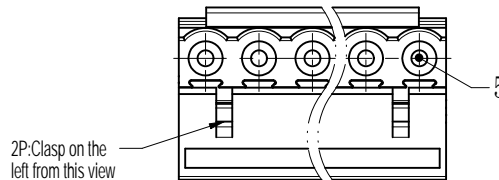
02P-03P



04P-07P



08P-16P



Note:
The A&Z(H) in the name means: A(H) and Z(H).

ITEM	NAME OF PART	MATERIAL	NOTES
6	Housing 2	PA66	UL94V-0
5	Clamp	Copper alloy	Sn Plated
4	Cage	Copper alloy	M2.5/Ni Plated
3	Screw	Steel	M2.5/Zn Plated
2	Cover	PA66	UL94V-0
1	Housing 1	PA66	UL94V-0

UL 标准/UL Standard:	B	C	D
额定电压/电流/Rated Voltage(V)/Current(A)	300/15	/	300/10
IEC 标准/IEC Standard:			
过压类别/Overvoltage Category/污染等级/Pollution Degree	III/3	III/2	II/2
额定电压/电流/Rated Voltage(V)/Current(A)	/	320/20	/
额定脉冲电压(KV)/Rate Impulse Voltage(KV)	/	4	/
螺丝扭矩/Torque Tightening(N·m/Lb.in)	M2.5: 0.4/3.54		
线径范围(硬线和软线)/Wire Range(rigid and flexible)(AWG/mm ²)	28~12/1.0~2.5		
间距/Pitch(mm)/线数范围/Poles	5.0/N=02~16P		
剥线长度/Stripping length(mm)	7~8		
使用温度范围/Operating temperature(°C)	-40~+105		
符合RoHS环保要求/Conform to RoHS	Yes		

DIAGON		MATERIAL:	SURFACE/COLOR:		
APPD: 兰春华	2023.02.03	MAT NO./REV: - / 00	MAT STATUS: 批量		
CHKD: 袁耀志	2023.02.03	NAME: 2EDGKE-5.0-XXP-1Y-00A&Z(H)			
DRFT: 朱岳鹏	2023.02.03	DRAWING NO. 200020194	TYPE: CUSTOMER DRAWING	DRAWING STATUS: 已发布	SCALE: 2:1
REV	ECN	DESCRIPTION	DRFT	DATE	SHEET 1/1

REV	ECN	DESCRIPTION	DRFT	DATE
00			朱岳鹏	2023.02.03

Transfer or duplication of this document as well as the utilization of its contents in any form without the written permission of the copyright holder is prohibited. All rights reserved for patent.