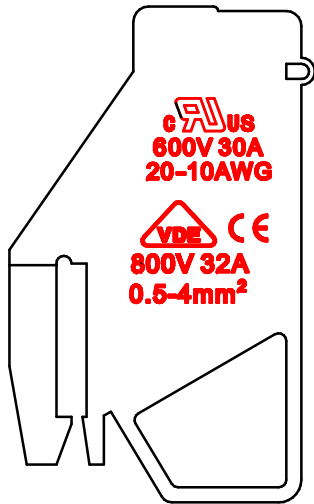
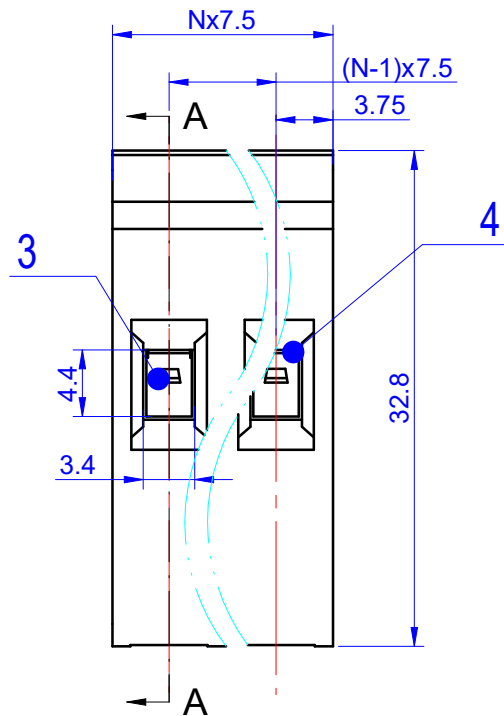
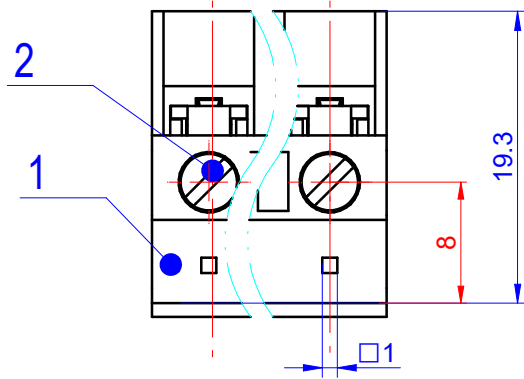


未注公差/General tolerances(mm)												0.1/10	
0	>3	>6	>10	>18	>30	>50	>80	>120	>180	>250	>315		>400
±0.12	±0.18	±0.22	±0.26	±0.31	±0.37	±0.57	±0.80	±0.93	±1.05	±1.15	±1.60	±2.20	±2.50



Note: The A&Z(H) in the name means:A(H) and Z(H).

ITEM	NAME OF PART	MATERIAL	NOTES
4	Pin Header	Copper	Sn Plated
3	Cage	Copper alloy	M3/Ni Plated
2	Screw	Copper alloy	M3/Ni Plated
1	Housing	PA66	UL94 V-0

UL 标准/ UL Standard:	B	C	D
额定电压/ 电流/ Rated Voltage(V)/ Current(A)	600/ 30	600/ 30	600/ 5
IEC 标准/ IEC Standard:			
额定电压/ 电流/ Rated Voltage(V)/ Current(A)	800/ 32		
工频耐压 (KV/ 1Mn) Withstanding voltage	AC2500V/ 1Mn		
螺丝扭矩/ Torque Tightening(N m/ Lb.in)	MB, 0.5/ 4.4		
线径范围(硬线和软线)/ Wire Range(rigid and flexible)(AVG mm²)	20~10 / 0.5~4		
间距/ Pitch(mm)/ 线数范围/ Poles	7.50/ N=01~03P		
剥线长度/ Stripping length(mm)	10~12		
使用温度范围/ Operating temperature(°C)	- 40~+105		
符合 RoHS 环保要求/ Conform to RoHS	Yes		
标准颜色编号/ Standard color number: PANTONE	157U		

DEGSON

APPD: 蓝贵凡 2022.11.11
 CHKD: 曹利彬 2022.11.09
 DRFT: 姜民洁 2022.11.09

MATERIAL:	SURFACE:	
MAT NO./REV:	/	MAT STATUS: 批量
NAME:	TSCB4-XXP-15-01A&Z(H)	
DRAWING NO.	TYPE	DRAWING STATUS
200014078		已发布
SCALE	SHEET	
2:1	1/1	

REV	ECN	DESCRIPTION	DRFT	DATE
00			姜民洁	2022.11.09

Transfer or duplication of this document as well as the utilization of its contents in any form without the written consent of DEGSON will be liable for compensation. All rights reserved for patent, utility model or design registrations. 非经书面授权, 严禁复制、复制、仿制、交流本文件的内容, 违者将依法承担责任。本公司保留对涉及发明、实用新型和外观专利的所有权利。