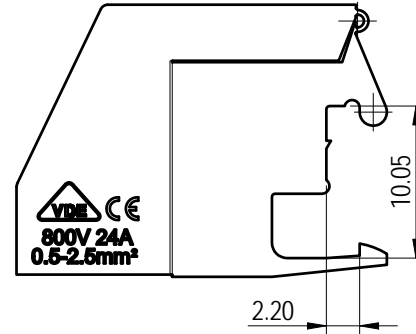
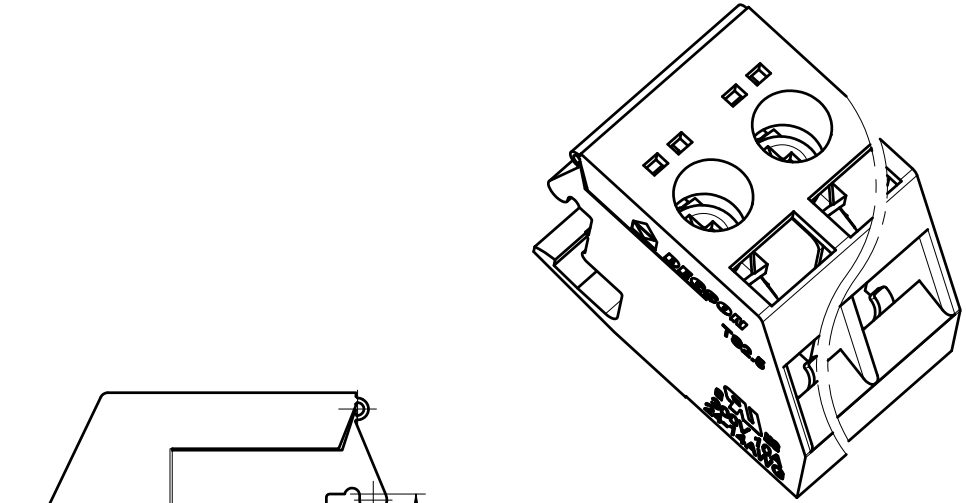
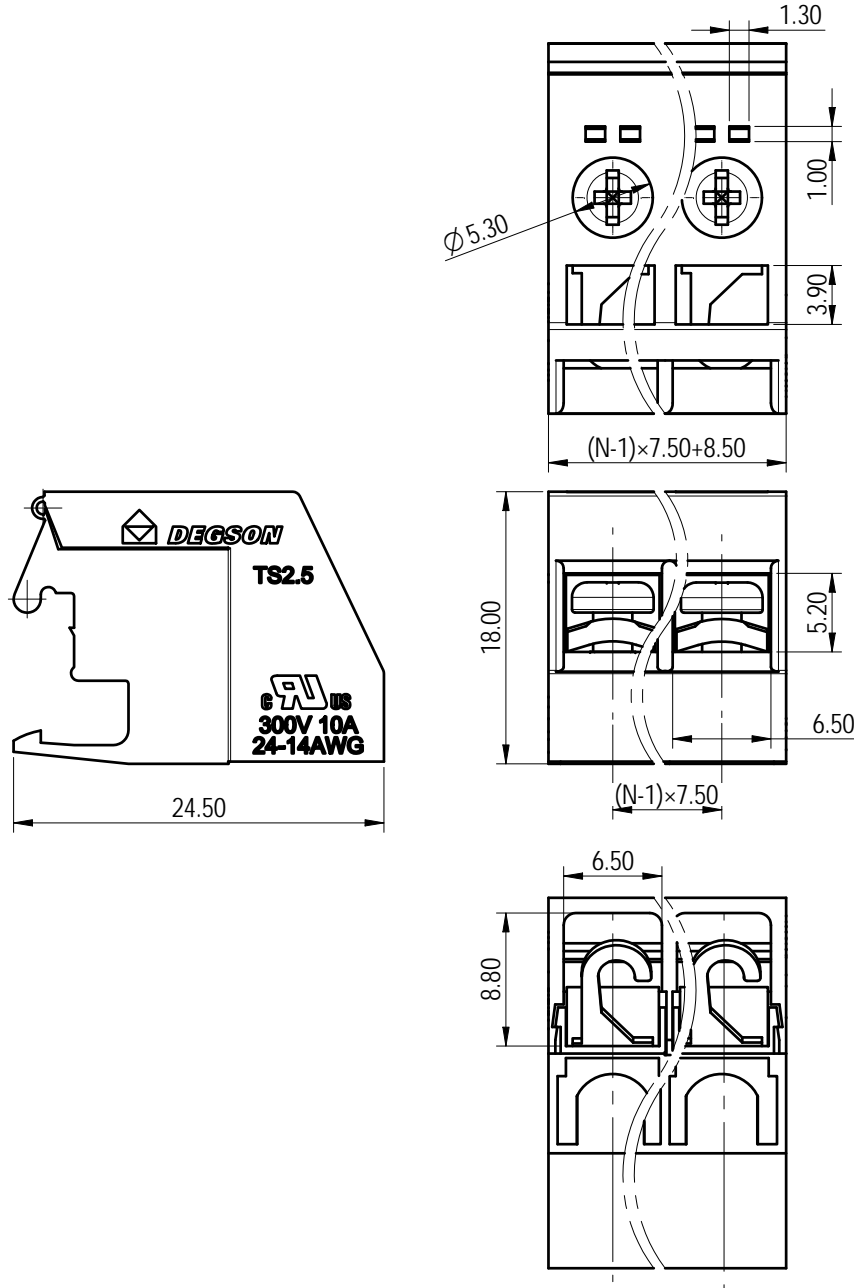


Transfer or duplication of this document as well as the utilization or communication of its contents are prohibited unless explicit authorization is granted. Violations will be liable for compensation. All rights reserved for patent, utility model or design registrations. 除专利及外观设计注册外, 其他内容均受法律保护。未经授权, 复制或传播本文件, 或在本文件内容中擅自增加、删减、修改, 均属于侵权行为, 侵权者将承担相关法律责任。

未注公差/General tolerances (mm)													0.1/10	
0	>3	>6	>10	>18	>30	>50	>80	>120	>180	>250	>315	>400		
~3	~6	~10	~18	~30	~50	~80	~120	~180	~250	~315	~400	~500	>500	
±0.12	±0.18	±0.22	±0.26	±0.31	±0.37	±0.57	±0.80	±0.93	±1.05	±1.15	±1.60	±2.20	±2.50	±2'



Note: The A&Z(H) in the name means: A(H) and Z(H).

ITEM	NAME OF PART	MATERIAL	NOTES
3	Screw	Steel	Zn Plated
2	Pin header	Copper	Sn Plated
1	Housing	PA66	UL94 V-0

UL 标准/UL Standard:	B	C	D
额定电压/电流/Rated Voltage(V)/Current(A)	300/10	300/10	/
IEC 标准/IEC Standard:			
额定电压/电流/Rated Voltage(V)/Current(A)	800/24		
螺丝扭矩/Torque Tightening(N·m/Lb.in)	M3, 0.5/4.4		
线径范围(硬线和软线)/Wire Range(rigid and flexible)(AWG/mm²)	24~14 / 0.5~2.5		
间距/Pitch(mm)/线数范围/Poles	7.5/N=02~03P		
剥线长度/Stripping length(mm)	8~10		
使用温度范围/Operating temperature(°C)	-40~+105		
符合RoHS环保要求/Conform to RoHS	Yes		

<b>DEGSON</b>		MATERIAL:	SURFACE/COLOR: pantone 157U		
APPD: 蓝贵凡 2022.12.20		MAT NO./REV: - / 00	MAT STATUS: 批量		
CHKD: 曹利彬 2022.12.19		NAME			
DRFT: 虞倩松 2022.12.19		TS2.5-XXP-15-01A&Z(H)			
DRAWING NO.	TYPE	DRAWING STATUS	SCALE	SHEET	
200120266	CUSTOMER DRAWING	已发布	2:1	1/1	

REV	ECN	DESCRIPTION	DRFT	DATE
00		由PDM14版升级至TC00版	虞倩松	2022.12.19