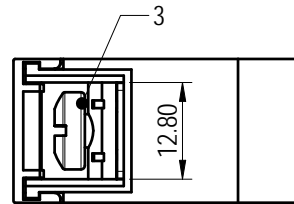
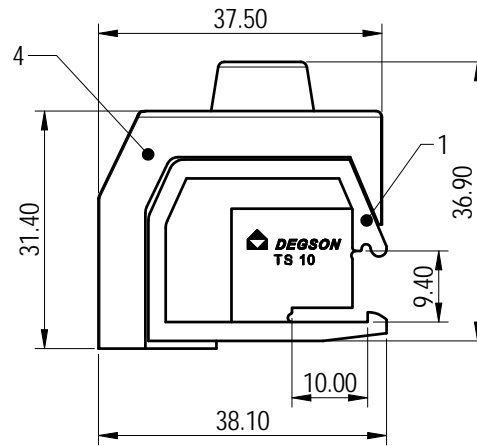
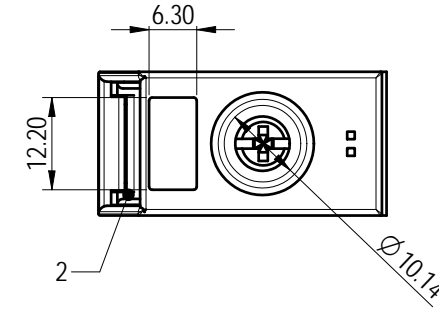
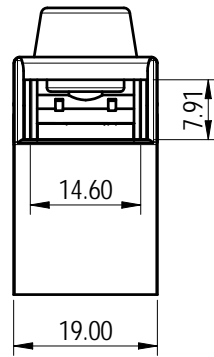
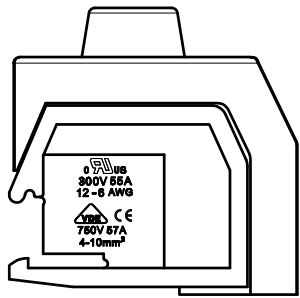


未注公差/General tolerances (mm)													0.1/10
0	>3	>6	>10	>18	>30	>50	>80	>120	>180	>250	>315	>400	
~3	~6	~10	~18	~30	~50	~80	~120	~180	~250	~315	~400	~500	>500
±0.12	±0.18	±0.22	±0.26	±0.31	±0.37	±0.57	±0.80	±0.93	±1.05	±1.15	±1.60	±2.20	±2.50



ITEM	NAME OF PART	MATERIAL	NOTES
4	Cover	PA66	UL94 V-0
3	Screw	Steel	M5/Zn Plated
2	Current carrier	Copper alloy	Sn Plated
1	Housing	PA66	UL94 V-0

UL 标准/UL Standard:	B	C	D
额定电压/电压/Rated Voltage(V)/Current(A)	300/55	300/55	/
IEC 标准/IEC Standard:			
额定电压/电压/Rated Voltage(V)/Current(A)	750/57		
螺丝扭矩/Torque Tightening(N·m/Lb.in)	M5, 2.0/17.5		
线径范围(硬线和软线)/Wire Range(rigid and flexible)(AWG/mm²)	12~6 / 4.0~10		
线数范围/Poles	N=01P		
使用温度范围/Operating temperature(°C)	-40~+105		
符合 RoHS 环保要求/Conform to RoHS	Yes		

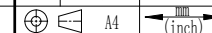


MATERIAL: /	SURFACE/COLOR: Pantone 157U
MAT NO./REV: 1007000003 / 00	MAT STATUS: 批量

APPD: 蓝贵凡	2022. 12. 14
CHKD: 曹利彬	2022. 12. 14
DRFT: 孙科豪	2022. 12. 14

NAME				
TS10-01P-15-01A&Z (H)				
DRAWING NO.	TYPE	DRAWING STATUS	SCALE	SHEET
200118362	CUSTOMER DRAWING	已发布	1:1	1/1

REV	ECN	DESCRIPTION	DRFT	DATE
00	/	/	/	/



Transfer or duplication of this document as well as the utilization or reproduction of its content are prohibited unless authorization is granted. Violations will be liable for compensation. All rights reserved for patent, utility model or design registrations. 除专利、实用新型、外观设计、软件著作权等合法权利外，其他权利均归本公司保留。未经许可，不得复制或传播。 除专利、实用新型、外观设计、软件著作权等合法权利外，其他权利均归本公司保留。