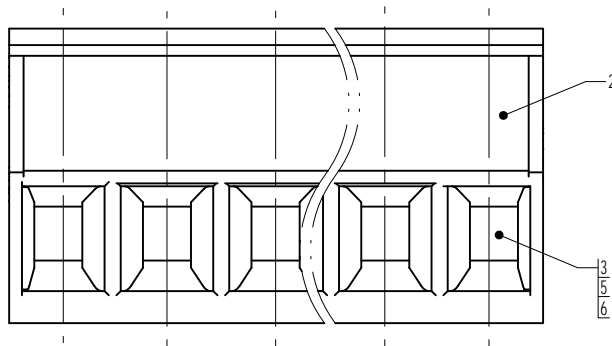
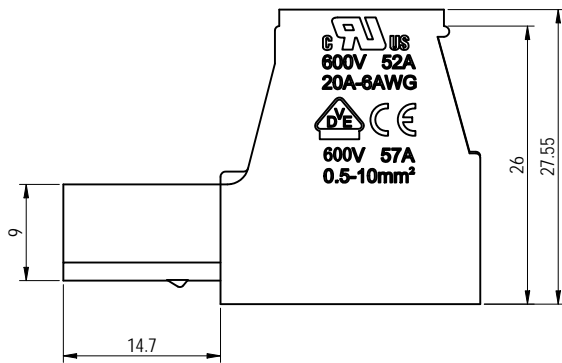
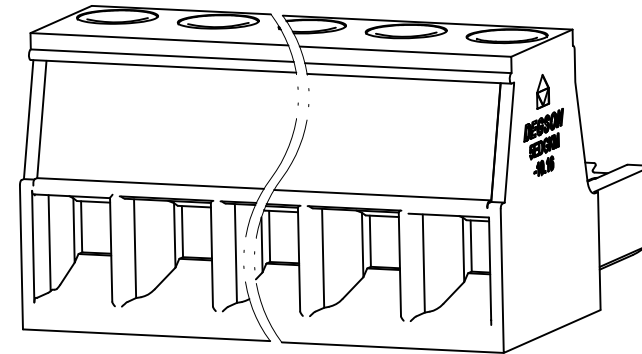
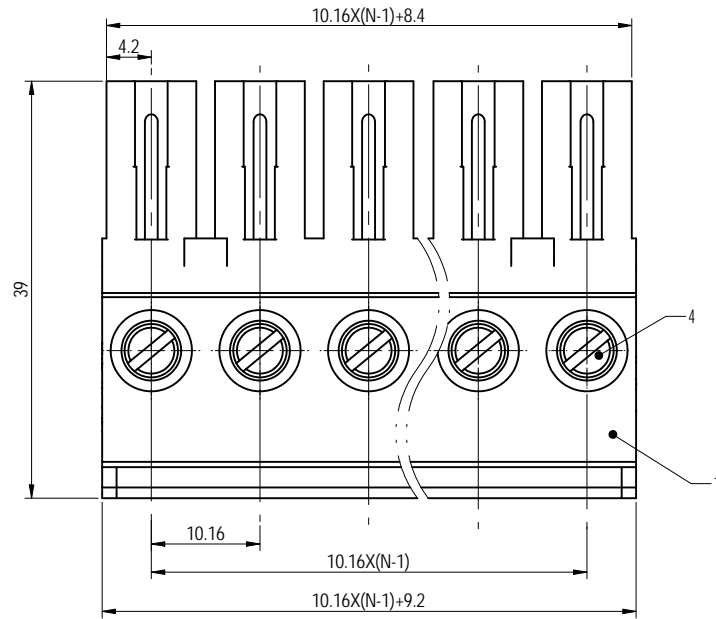


公差表/General tolerances (mm)													0.1/10	
0	>3	>6	>10	>18	>30	>50	>80	>120	>180	>250	>315	>400	>500	D ±2
~ 3	~ 6	~ 10	~ 18	~ 30	~ 50	~ 80	~ 120	~ 180	~ 250	~ 315	~ 400	~ 500		
±0.12	±0.18	±0.22	±0.26	±0.31	±0.37	±0.57	±0.80	±0.93	±1.05	±1.15	±1.60	±2.20	±2.50	



Note:
The A&Z(H) in the name means: A(H) and Z(H).

ITEM	NAME OF PART	MATERIAL	NOTES
6	Spring	Stainless_steel	/
5	Clamp	Copper	Ag Plated
4	Screw	Copper_alloy	Ni Plated
3	Cage	Copper_alloy	Ni Plated
2	Cover	PA66	UL94V-0
1	Housing	PA66	UL94V-0

UL 标准/UL Standard:	B	C	D
额定电压/电流/Rated Voltage(V)/Current(A)	600/52	600/52	7
IEC 标准/IEC Standard:			
过压类别/Overvoltage Category/污染等级/Pollution Degree	III/3	III/2	II/2
额定电压/电流/Rated Voltage(V)/Current(A)	600/57	/	/
额定脉冲电压(KV)/Rate Impulse Voltage(KV)	6	/	/
螺钉扭矩/Torque Tightening(N·m/Lb.in)	M4: 1.2/10.6		
线径范围(硬线和软线)/Wire Range(rigid and flexible)(AWG/mm²)	20~6 / 0.5~10		
间距/Pitch(mm)/线数范围/Poles	10.16/N=02~8P		
剥线长度/Stripping length(mm)	7~8		
使用温度范围/Operating temperature(°C)	-40~+105		
符合RoHS环保要求/Conform to RoHS	Yes		
标准颜色编号/Standard color number: PANTONE / RAL	/		

DIIGSON MATERIAL: SURFACE/COLOR: MAT NO./REV: - / 00 MAT STATUS: 批量

NAME: 5EDGK-10.16-XXP-1Y-00A&Z(H)

APPD: 兰春华	2022.09.20	NAME	
CHKD: 黄耀志	2022.09.20	DRAWING NO.	200019359
DRFT: 方哲盛	2022.09.19	TYPE	CUSTOMER DRAWING
		DRAWING STATUS	已发布
		SCALE	2:1
		SHEET	1/1

REV	ECN	DESCRIPTION	DRFT	DATE
00			方哲盛	2022.09.19

Transfer or duplication of this document as well as the utilization of its contents without the written permission of the manufacturer is prohibited. All rights reserved for patent. 复制或再行发布此文件以及其内容之利用，未经制造商之书面许可，是严格禁止的。保留所有权利，特此声明。