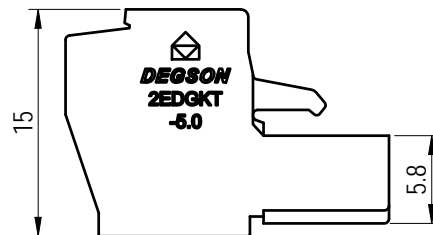
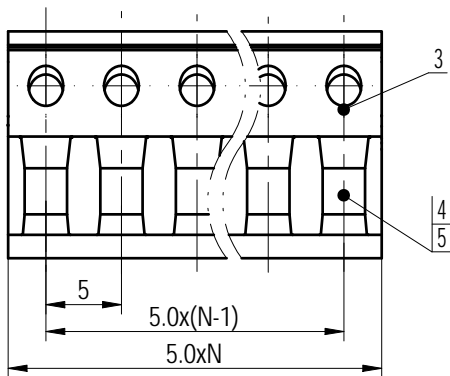
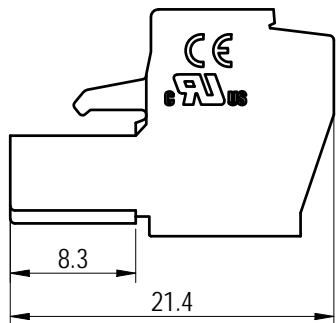
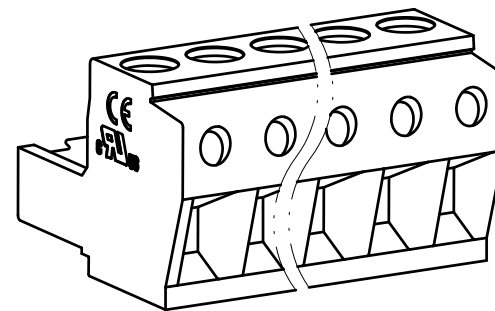
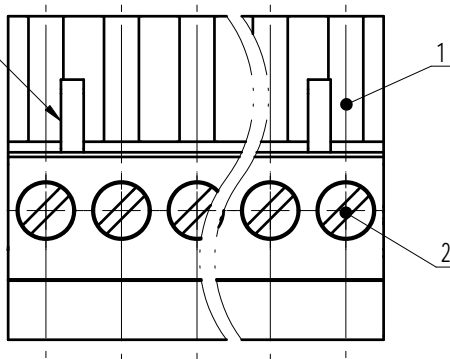


未注公差/General tolerances (mm)													0.1/10 ±2'
0	>3	>6	>10	>18	>30	>50	>80	>120	>180	>250	>315	>400	
~3	~6	~10	~18	~30	~50	~80	~120	~180	~250	~315	~400	~500	>500
±0.12	±0.18	±0.22	±0.26	±0.31	±0.37	±0.57	±0.80	±0.93	±1.05	±1.15	±1.60	±2.20	±2.50

02P:Clasp on the left from this view



Note:
The A&Z(H) in the name means: A(H) and Z(H).

ITEM	NAME OF PART	MATERIAL	NOTES
5	Clamp	Copper alloy	Sn Plated
4	Cage	Copper alloy	M3/Ni Plated
3	Cover	PA66	UL94V-0
2	Screw	Steel	M3/Zn Plated
1	Housing	PA66	UL94V-0

UL 标准/UL Standard:	B	C	D
额定电压/电流/Rated Voltage(V)/Current(A)	300/18	/	300/10
IEC 标准/IEC Standard:			
过压类别/Overvoltage Category/污染等级/Pollution Degree	III/3	III/2	II/2
额定电压/电流/Rated Voltage(V)/Current(A)	/	320/20	/
额定脉冲电压(KV)/Rate Impulse Voltage(KV)	/	4	/
螺丝扭矩/Torque Tightening(N·m/Lb.in)	M3, 0.6/5.32		
线径范围(硬线和软线)/Wire Range(rigid and flexible)(AWG/mm²)	30~12/ 1.0~2.5		
间距/Pitch(mm)/线数范围/Poles	5.0/N=02~24P		
剥线长度/Stripping length(mm)	7~8		
使用温度范围/Operating temperature(°C)	-40~+105		
符合RoHS环保要求/Conform to RoHS	Yes		
标准颜色编号/Standard color number: PANTONE / RAL	/		



APPD: 兰春华	2022.10.12
CHKD: 龚耀志	2022.10.12
DRFT: 刘强	2022.10.12

MATERIAL:	SURFACE/COLOR:		
MAT NO./REV:	/ 01	MAT STATUS: 批量	
NAME			
2EDGKT-5.0-XXP-1Y-1000A&Z(H)			
DRAWING NO.	TYPE	DRAWING STATUS	SCALE
200030384	CUSTOMER DRAWING	已发布	2:1
SHEET			1/1

00			刘强	2022.10.12
REV	ECN	DESCRIPTION	DRFT	DATE

Transfer or duplication of this document as well as the utilization or communication of its contents are prohibited unless explicit authorization is granted. Violations will be liable for compensation. All rights reserved for patent, utility model or design registrations. 未经授权复制或传播本文件内容，或在本文件内容中擅自进行复制或传播，均属于侵权行为，公司将依法追究。保留所有权利。