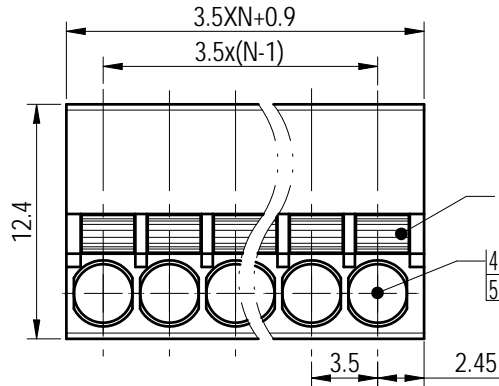
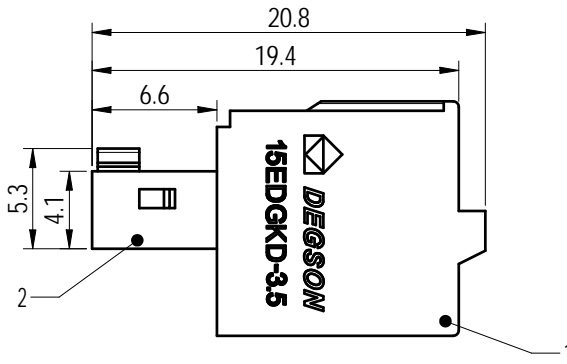
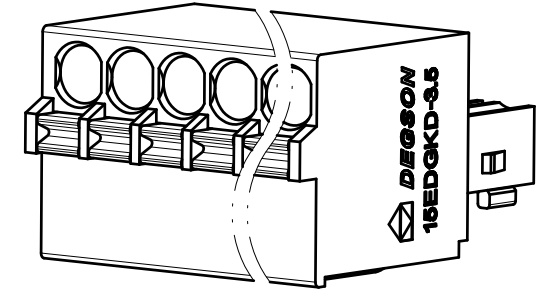
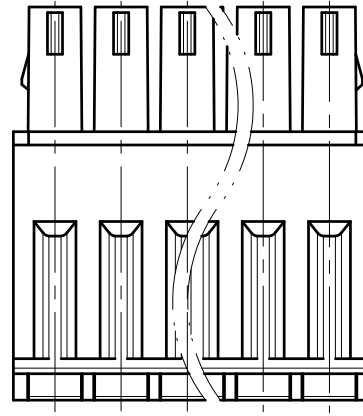


未注公差/General tolerances (mm)													0.1/10	
0	>3	>6	>10	>18	>30	>50	>80	>120	>180	>250	>315	>400		
~3	~6	~10	~18	~30	~50	~80	~120	~180	~250	~315	~400	~500	>500	
±0.12	±0.18	±0.22	±0.26	±0.31	±0.37	±0.57	±0.80	±0.93	±1.05	±1.15	±1.60	±2.20	±2.50	±2'



Note:

The A&Z(H) in the name means: A(H) and Z(H).

ITEM	NAME OF PART	MATERIAL	NOTES
5	Spring	Stainless steel	/
4	Clamp	Copper alloy	Sn Plated
3	Button	POM	UL94HB
2	Cover	PA66	UL94V-0
1	Housing	PA66	UL94V-0

UL 标准/UL Standard:	B	C	D
额定电压/电流/Rated Voltage(V)/Current(A)	300/8	/	300/8
IEC 标准/IEC Standard:			
过压类别/Overvoltage Category/污染等级/Pollution Degree	III/3	III/2	II/2
额定电压/电流/Rated Voltage(V)/Current(A)	/	250/12	/
额定脉冲电压(KV)/Rate Impulse Voltage(KV)	/	4	/
线径范围(硬线和软线)/Wire Range (rigid and flexible)(AWG/mm ²)	28~16 / 0.2~1.5		
间距/Pitch(mm)/线数范围/Poles	3.5/N=02~24P		
剥线长度/Stripping length(mm)	9		
使用温度范围/Operating temperature(°C)	-40~+105		
符合RoHS环保要求/Conform to RoHS	Yes		
标准颜色编号/Standard color number: PANTONE / RAL	/		



MATERIAL:	SURFACE/COLOR:
MAT NO./REV: - / 00	MAT STATUS: 批量

APPD: 兰春华	2022. 11. 03
CHKD: 龚耀志	2022. 11. 03
DRFT: 方哲盛	2022. 11. 02

NAME				
15EDGKD-3. 5-XXP-1Y-00A&Z (H)				

00			方哲盛	2022. 11. 02
REV	ECN	DESCRIPTION	DRFT	DATE

DRAWING NO.	TYPE	DRAWING STATUS	SCALE	SHEET
200019524	CUSTOMER DRAWING	已发布	2. 5: 1	1/1

Transfer or duplication of this document as well as the utilization or communication of its contents are prohibited unless expressly permitted. Violations will be held for compensation. All rights reserved for patent, utility model or design registrations. 除专利等权利明确授权外，否则禁止转让、复制、引用、发布等文件的所有权。 侵权必究并保留追偿权利。